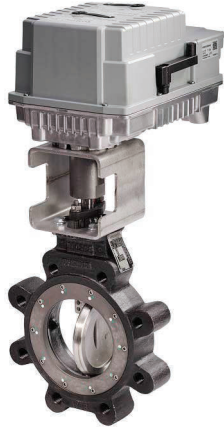


VH2, VH3, VH4, VH5, VH6, VH7, VH8 ANSI 150 Class High Performance Butterfly Valves

PRODUCT DATA



FEATURES

All Models

- ANSI Class 150
- 316 stainless steel disks
- Carbon steel valve body
- Stainless steel valve stem
- RTFE valve seat
- 0% leakage at rated close-off
- Maximum velocity of 32 FPS
- Close-off rating of 150 psid in all sizes
- ISO 5211 actuator mounting flange
- Available with factory-installed electric actuation interfaces in 2-position, Floating (“tri-state”), or Modulating (2-10 Vdc) Control
- Manual override on all models
- For use with hot, chilled or condensing water up to 60% glycol and on/off control of steam up to 50 psi in HVAC systems

Two-Way Valves (VH2)

- Sizes from 2 to 24 inches with ANSI Class 125/150 lug pipe connections
- Modified equal percentages flow characteristic
- Spring fail safe available on 2 to 4 inch models, Electronic fail safe available on 5 and 6 inch models
- NEMA 2 actuators available on valves 2 to 4 inch, NEMA 4X available on valves 5 to 24 inch

Three-Way Valve Assemblies (VH3,4,5,6,7,8)

- Sizes from 2 to 16 inches with ANSI Class 125/150 lug pipe connections.
- Mixing (VH3,4,5) or diverting (VH6,7,8) control.
- Modified linear flow characteristic.
- Standard cast-iron pipe T included.
- Multiple port configurations available to fit different applications.
- Electronic fail safe available on 2 to 3 inch models
- NEMA 2 actuators available on valves 3 inch and smaller, NEMA 4X available on valves 4 inch to 16 inch

Contents

FEATURES	1
SPECIFICATIONS	2
DIMENSIONAL DRAWINGS	5
ACTUATOR SPECIFICATIONS	13
3-WAY VALVE CONFIGURATIONS	16
INSTALLATION	18
ELECTRICAL INSTALLATION	22



SPECIFICATIONS

NOTE: All specifications were accurate at time of publication. Honeywell reserves the right to improve or discontinue products without prior notification. To obtain the latest technical literature, please consult the website at <http://customer.honeywell.com>.

Models: See Table 1

Dimensions: See Figures 1 - 8

Mounting: ASME/ANSI Class 150

Body Style:

Two-way or Three-way ANSI class 150 High Performance butterfly valves

Body Size:

2-way valves: 2 in. to 24 in.
3-way valves: 2 in. to 16 in.

Flow Characteristics:

2-way valves: Modified equal percentage, unidirectional
3-way valves: Modified linear, unidirectional

Body Static Pressure Rating (maximum):

285 psi at 100 °F (1965 kPa at 38 °C)

Close-Off Pressure Rating (maximum differential):

150 psi

Controlled Media: Chilled or hot water up to 60% glycol, steam up to 50 psi

Media temperature range: -22 °F to 400 °F
(-30 °C to 204 °C)

Maximum Velocity: 32 fps (9.8 m/s)

Materials:

Body: Carbon steel full lug
Disk: 316 stainless steel
Shaft: 17-4 PH stainless
Seat: RTFE
Gland Seal: TFE
Bearings: Glass backed PTFE

Approvals/Standards:

Close-off: 0% leakage up to rated close-off.
Actuators on 6 inch and smaller two-way valves and 4 inch and smaller three-way valves: cULus, CE
Actuators on 8 inch and larger 2-way valves and 5 inch and larger three-way valves: cCSAus, CE

Actuator Ratings: See Table 6

Accessories:

MB-NSR-SWITCH: NSR DCA Aux Switch
MB-NSR-N4HEAT: NSR NEMA4 DCA Heater Kit
(Must be ordered with valve, factory installed)
MB-SR-N4HEAT: SR NEMA4 DCA Heater Kit
(Must be ordered with valve, factory installed)

Table 1. Butterfly Valve Assembly Model Selection.

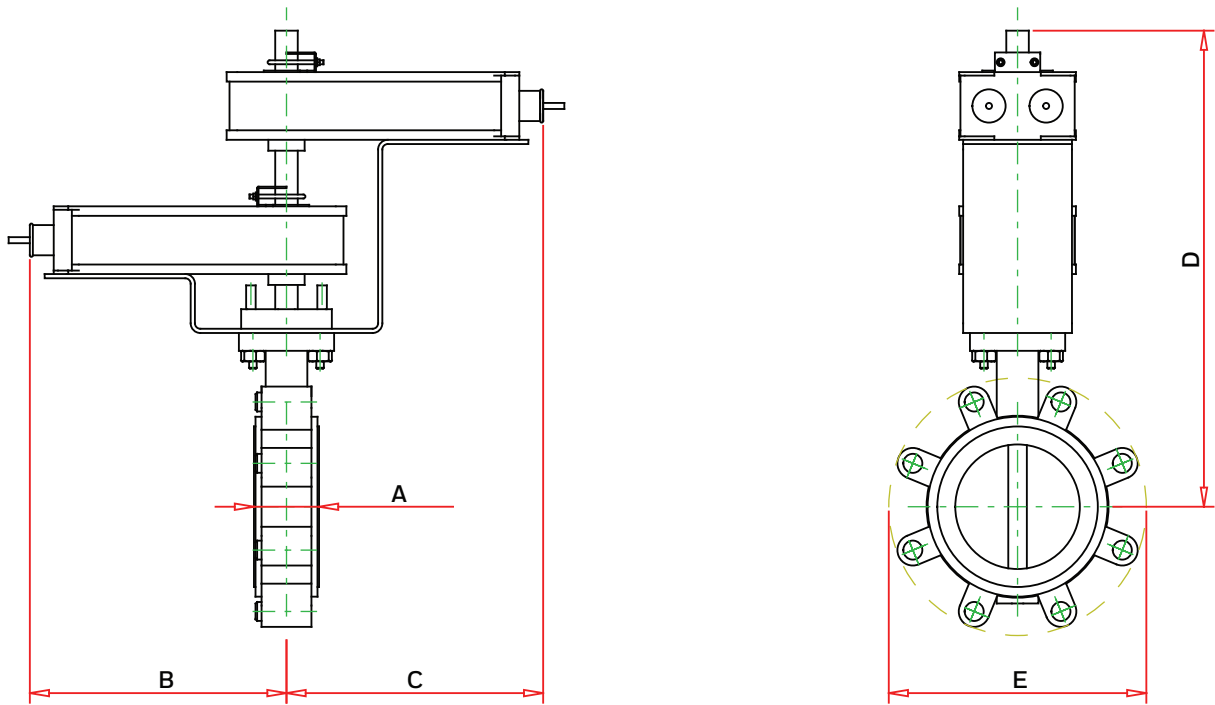
Butterfly Valve	Connection Type	Body Pattern	Valve Size	Actuator Control	Actuator Voltage	Fail Safe Function	Voltage/Switch	Nema	Description
V	Valve, Lugged (Butterfly)								
	H	High Performance ANSI 150							
		2	2-Way						
		3	3-way Mixing Configurations (See Fig. 9)						
		4							
		5							
		6	3-Way Diverting Configurations (See Fig. 9)						
		7							
		8							
		F	2 inch (DN 50)						
		G	2.5 inch (DN 65)						
		H	3 inch (DN 80)						
		J	4 inch (DN 100)						
		K	5 inch (DN 125)						
		L	6 inch (DN 150)						
		M	8 inch (DN 200)						
		N	10 inch (DN 250)						
		P	12 inch (DN 300)						
		R	14 inch (DN 350)						
		S	16 inch (DN 400)						
		T	18 inch (DN 450) 2-Way Only						
		U	20 inch (DN 500) 2-Way Only						
		V	24 inch (DN 600) 2-Way Only						
		6	Floating / Two-Position (SPDT)						
		7	Analog Modulating (0)2-10 Vdc						
		8	Two-Position (SPST)						
		L	24 Vac/Vdc						
		H	120 Vac						
		U	24-240 Vac / 24-125 Vdc						
		P	Fail in Place						
		S	Spring Return A-Port (Master) Fail-Safe Open						
		T	Spring Return A-Port (Master) Fail-Safe Closed						
		E	Electronic Fail-Safe (Default Fail Closed, Field Adjustable)						
		N	No Feedback						
		F	Analog Feedback						
		S	Built in Aux Switches						
		B	Both Analog Feedback and Aux Switches						
		2	NEMA 2						
		4	NEMA 4X						
		H	NEMA 4X (with Heater)						
V	H	2	H	7	L	P	F	2	EXAMPLE: 2-WAY, 3 INCH, ANSI CLASS 150 HIGH PERFORMANCE BUTTERFLY VALVE, CV228, CLOSE-OFF 285PSI, 24VAC, 2-10VDC, 150S, FAIL-SAFE IN PLACE, FEEDBACK, NEMA2, (INCLUDES MBP7L4F2/U ACTUATOR)

Table 2. Butterfly Valve Replacement Actuator Model Selection.

Type	Fail safe	Control	Power	Actuator Type	Feedback	Nema	Description
MB	Motor Butterfly						
	S	Spring Fail-Safe					
	E	Electronic Fail-Safe					
	P	Fail-in-place					
	6	Floating / Two-Position (SPDT)					
	7	Analog Modulating (0)2-10 Vdc					
	8	Two-Position (SPST)					
	L	24 Vac/Vdc					
	U	24-240 Vac / 24-125 Vdc					
	H	120 Vac					
	1	SR 180 in-lb					
	2	NSR 180 in-lb					
	3	SR 180 in-lb					
	A	NSR 180 in-lb					
	4	EFS/FIP 360 in-lb (2-Way VR)					
	R	EFS/FIP 360 in-lb (VH and 3-Way VR)					
	5	EFS/FIP 800 in-lb					
	6	EFS/FIP 1400 in-lb					
	7	EFS/FIP 1400 in-lb					
	8	EFS/FIP 1400 in-lb					
	9	FIP 3540 in-lb					
	B	FIP 4425 in-lb					
	C	FIP 5755 in-lb					
	D	FIP 8850 in-lb					
	E	FIP 13275 in-lb					
	F	FIP 17700 in-lb					
	G	FIP 22125 in-lb					
	H	FIP 26550 in-lb					
	N	No Feedback					
	F	Analog Feedback					
	S	Built in Aux Switches					
	B	Both Analog Feedback and Aux Switches					
	2	NEMA 2					
	4	NEMA 4X					
	H	NEMA 4X (with Heater)					
MB	S	8	U	1	N	2	Example: BUTTERFLY VALVE ACTUATOR FOR VR AND VH SERIES, SPRING RETURN, 2-POSITION, 24-240VAC, 180 LB-IN, NEMA2.

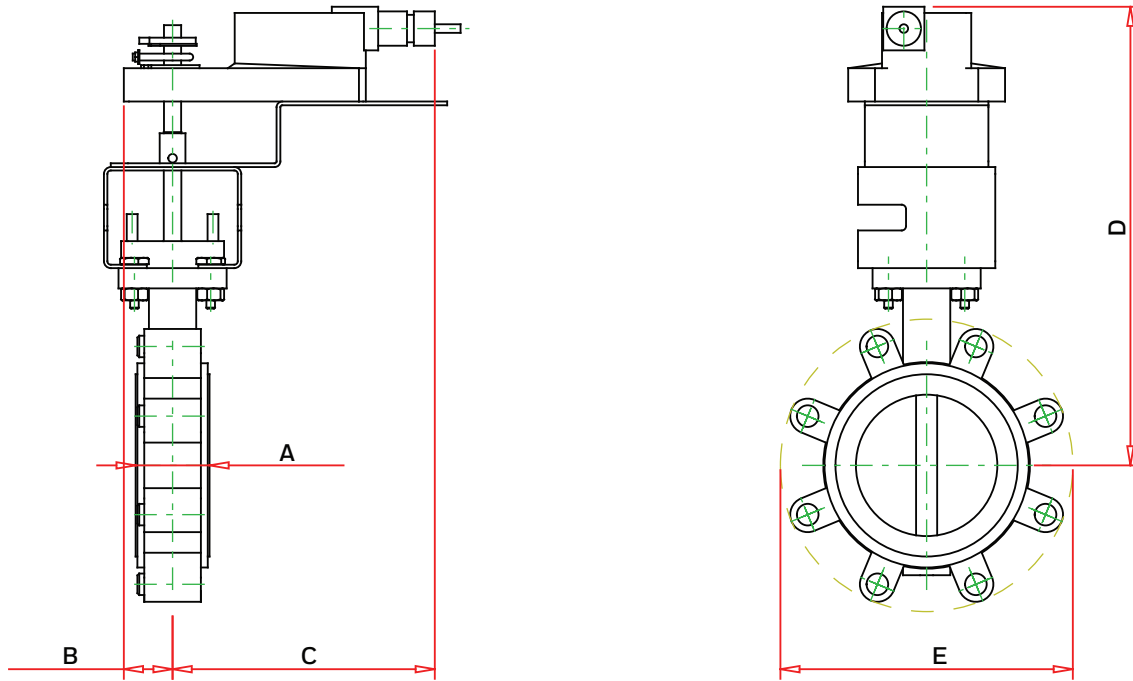
NOTE: The tables above are intended to explain the significance of the butterfly valve and actuator part numbering system, and is not a product configuration tool. Only part numbers printed in Honeywell price books may be ordered. Please refer to cpq.honeywell.com for available configurations.

DIMENTIONAL DRAWINGS



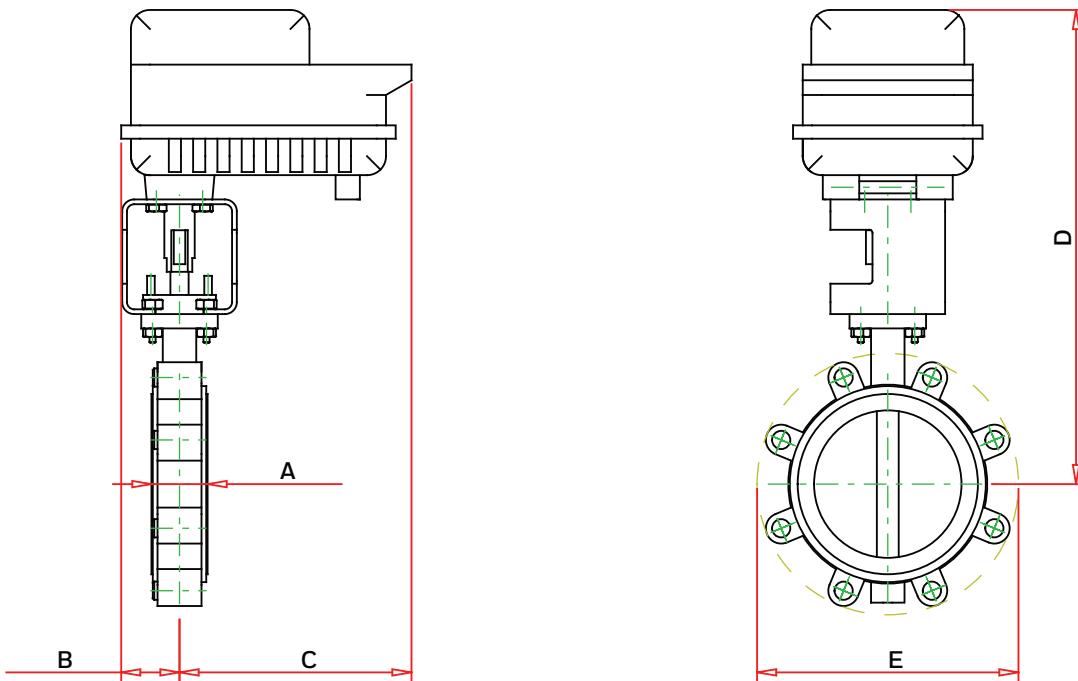
Size		Dimensions, in. (mm)				
in.	DN	A	B	C	D	E
2	50	1.77 (45.0)	8.49 (215.6)	8.49 (215.6)	14.25 (362.0)	5.77 (146.6)
2.5	65	1.90 (48.3)	8.49 (215.6)	8.49 (215.6)	14.25 (362.0)	6.52 (165.6)
3	80	1.90 (48.3)	8.49 (215.6)	8.49 (215.6)	14.99 (380.7)	7.02 (178.3)
4	100	2.15 (54.6)	8.49 (215.6)	8.49 (215.6)	15.75 (400.1)	8.52 (216.4)

Fig. 1. 2-way valves with MBP...R actuators.



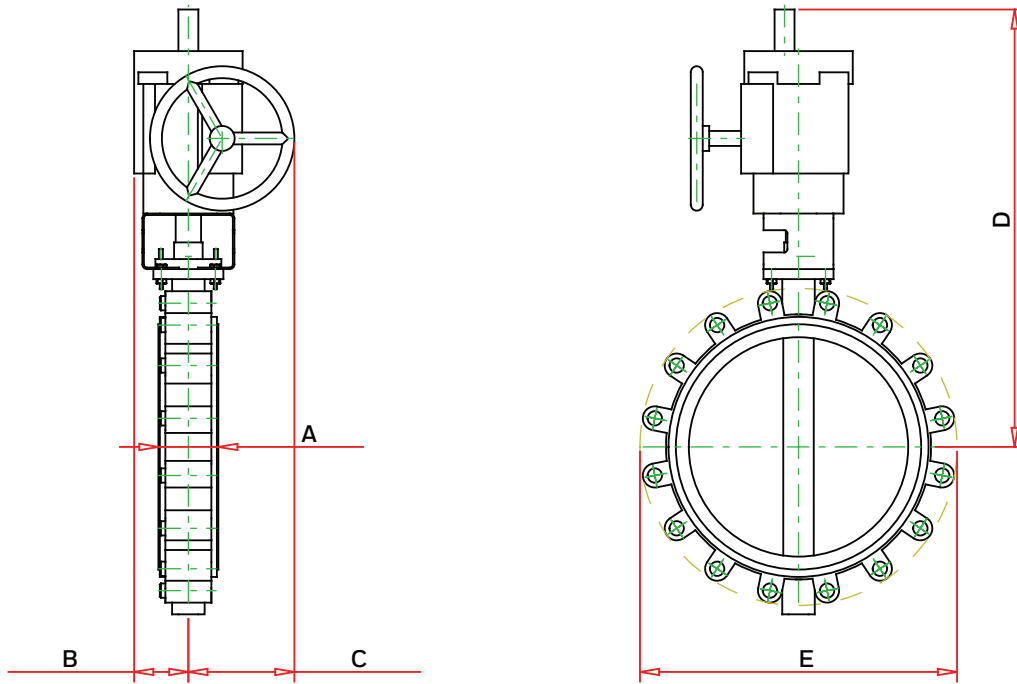
Size		Dimensions, in. (mm)				
in.	DN	A	B	C	D	E
2	50	1.77 (45.0)	1.42 (36.1)	7.64 (194.1)	9.21 (233.9)	5.77 (146.6)
2.5	65	1.90 (48.3)	1.42 (36.1)	7.64 (194.1)	9.21 (233.9)	6.52 (165.6)
3	80	1.90 (48.3)	1.42 (36.1)	7.64 (194.1)	9.95 (252.7)	7.02 (178.3)
4	100	2.15 (54.6)	1.42 (36.1)	7.64 (194.1)	13.36 (339.3)	8.52 (216.4)

Fig. 2. 2-way valves with tandem MBS...1 actuators.



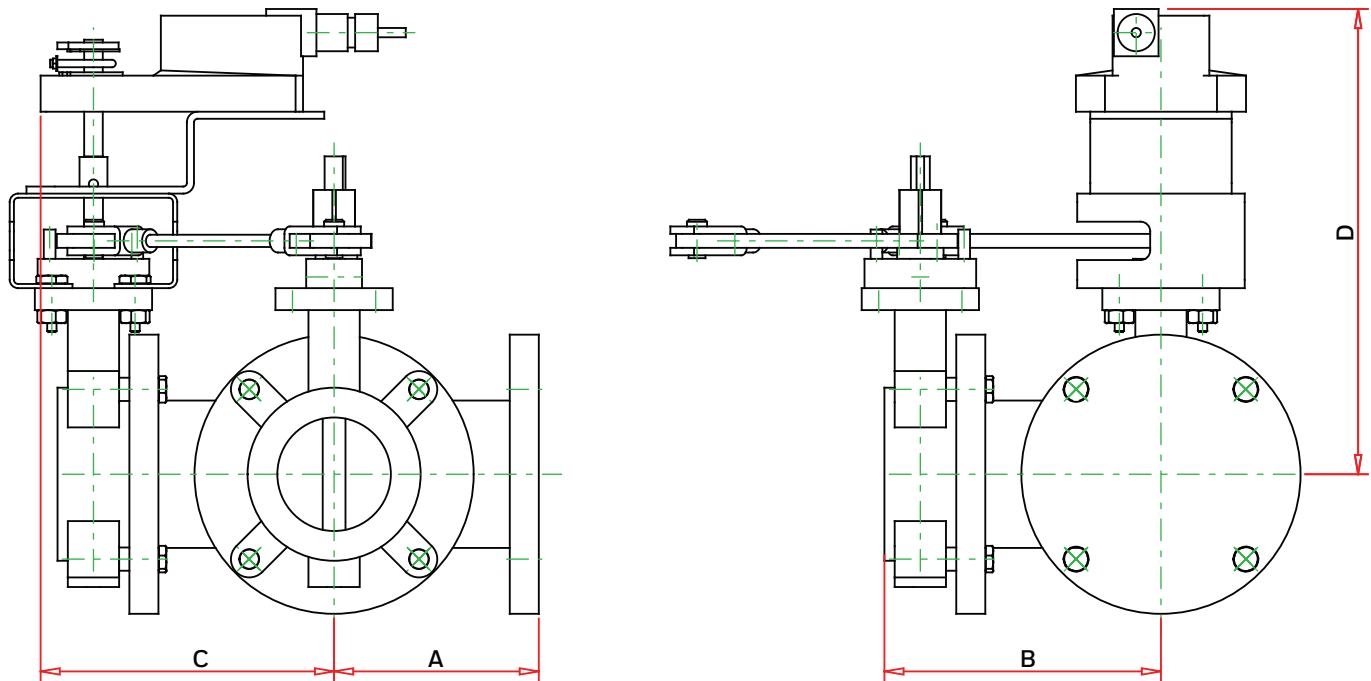
Size		Dimensions, in. (mm)				
in.	DN	A	B	C	D	E
5	125	2.31 (58.7)	2.40 (61.0)	9.55 (242.6)	18.98 (482.1)	9.76 (247.9)
6	150	2.31 (58.7)	2.40 (61.0)	9.55 (242.6)	19.52 (495.8)	10.76 (273.3)

Fig. 3. 2-way valves with MBE...6 actuators.



Size		Dimensions, in. (mm)				
in.	DN	A	B	C	D	E
8	200	2.48 (63.0)	4.40 (111.8)	7.13 (181.1)	23.14 (587.8)	13.17 (334.5)
10	250	2.81 (71.4)	4.40 (111.8)	7.13 (181.1)	23.89 (606.8)	15.89 (403.6)
12	300	3.22 (81.8)	4.40 (111.8)	7.13 (181.1)	27.49 (698.2)	18.62 (472.9)
14	350	3.22 (81.8)	4.40 (111.8)	7.13 (181.1)	28.10 (713.7)	20.75 (527.1)
16	400	4.22 (107.2)	4.27 (108.5)	8.35 (212.1)	33.13 (841.5)	22.89 (581.4)
18	450	4.71 (119.6)	4.27 (108.5)	8.35 (212.1)	34.44 (874.8)	24.96 (634.0)
20	500	5.25 (133.4)	8.59 (218.2)	7.20 (182.9)	41.32 (1049.5)	26.89 (683.0)
24	600	6.36 (161.5)	8.59 (218.2)	7.20 (182.9)	43.44 (1103.4)	31.28 (794.5)

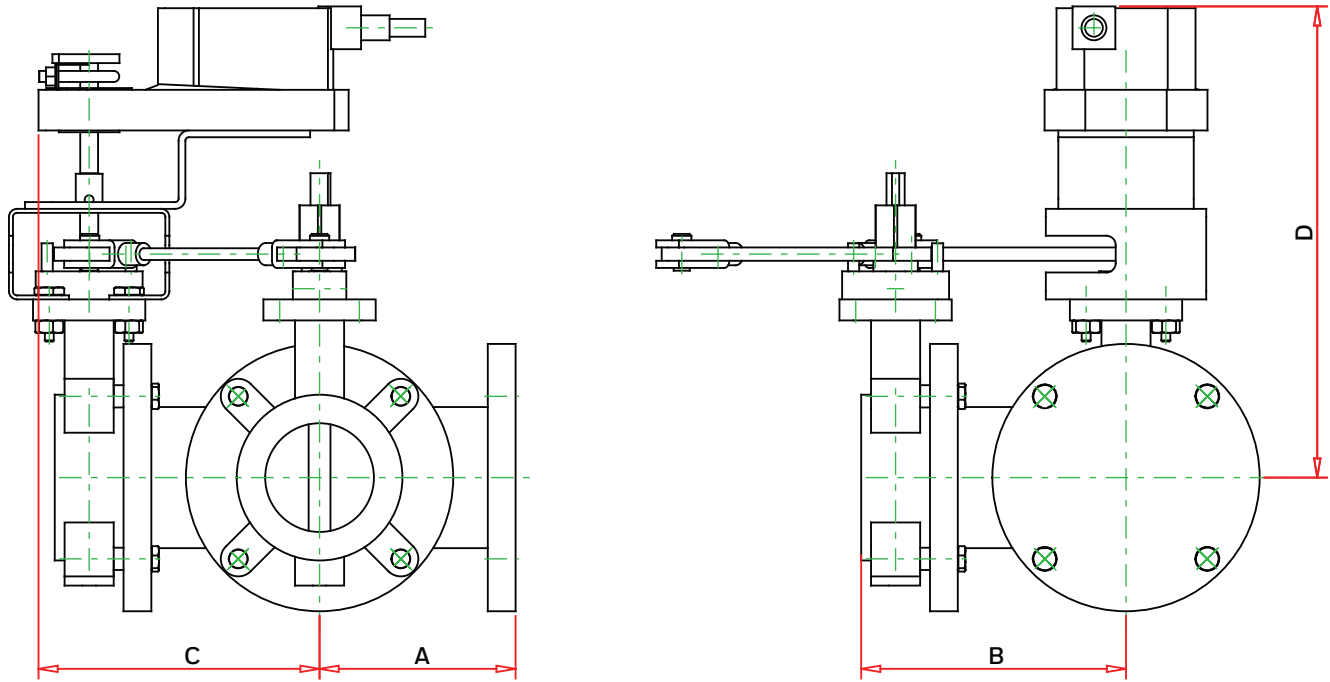
Fig. 4. 2-way valves with MBP...9,B,D,F,G actuators.



Size		Dimensions, in. (mm)			
in.	DN	A	B	C	D
2	50	4.50 (114.3)	6.23 (158.2)	6.78 (172.2)	11.75 (298.5)
2.5	65	5.00 (127.0)	6.89 (175.0)	7.37 (187.2)	14.25 (362.0)
3	80	5.50 (139.7)	7.43 (188.7)	7.88 (200.2)	12.50 (317.5)

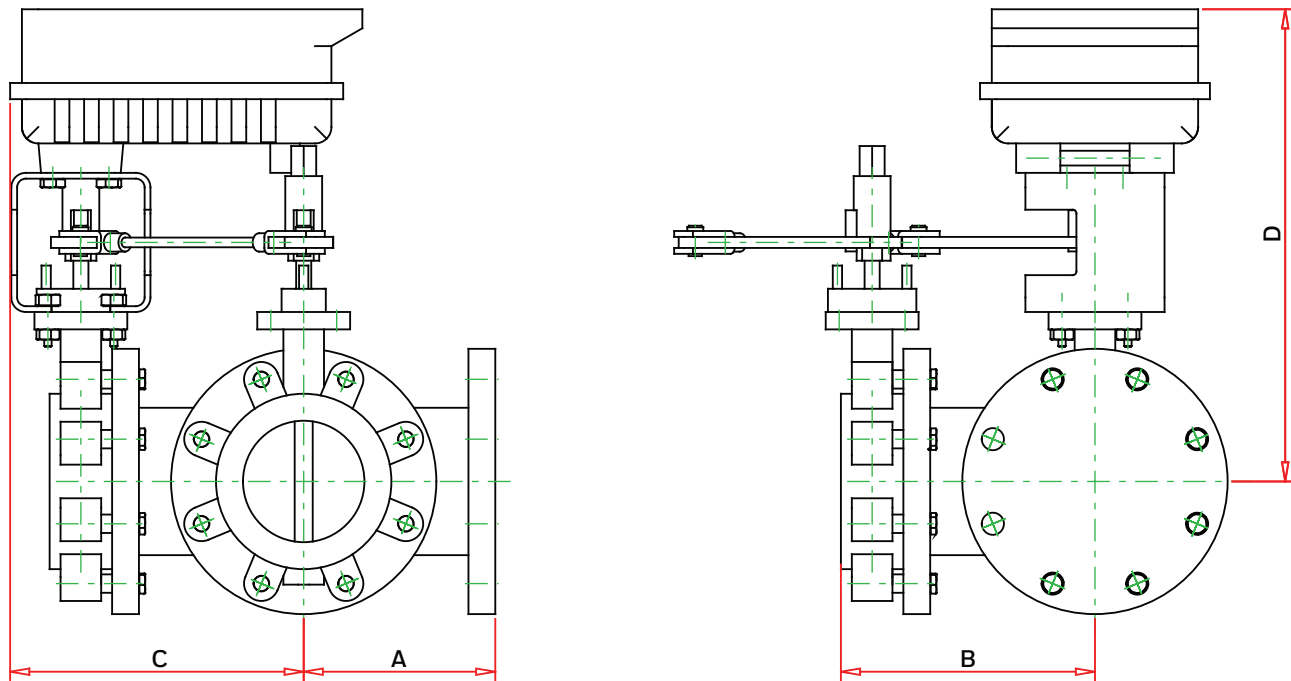
Fig. 5. 3-way valves with MBP...R actuators.

VH2, VH3, VH4, VH5, VH6, VH7, VH8 ANSI 150 CLASS HIGH PERFORMANCE BUTTERFLY VALVES



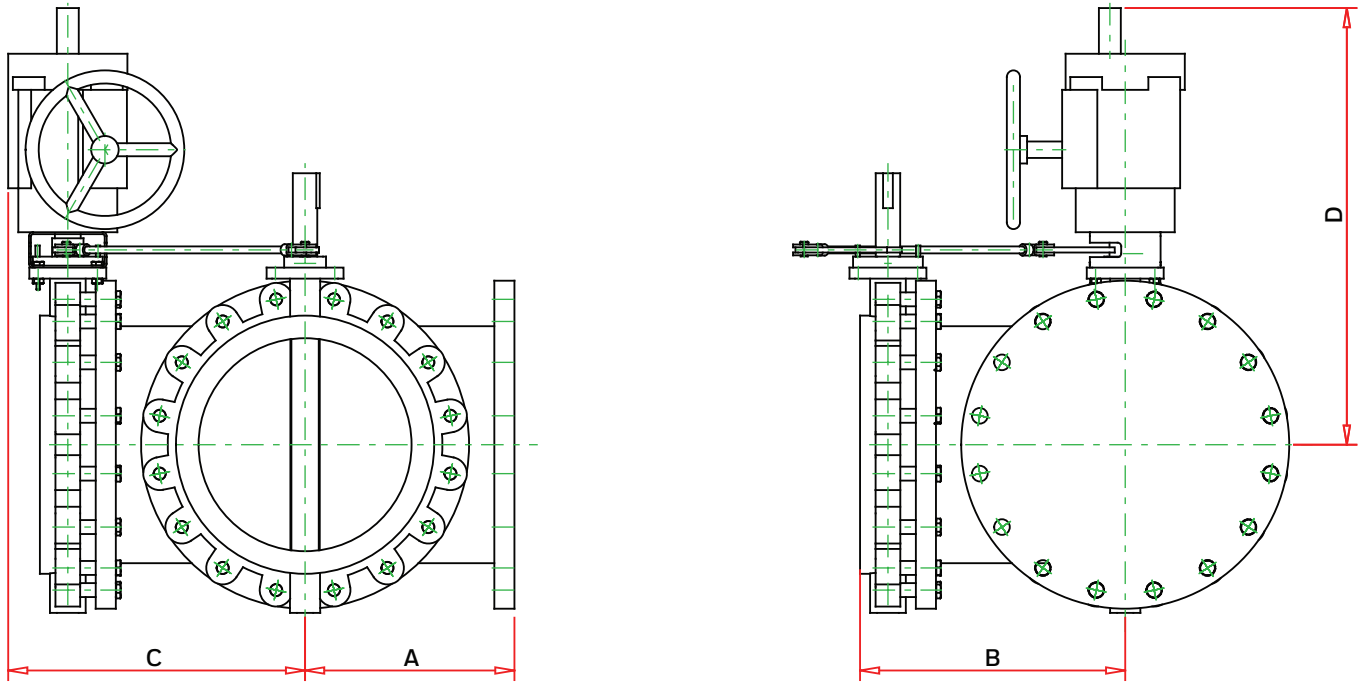
Size		Dimensions, in. (mm)			
in.	DN	A	B	C	D
2	50	4.50 (114.3)	6.23 (158.2)	6.79 (172.5)	12.47 (316.7)
2.5	65	5.00 (127.0)	6.89 (175.0)	7.36 (186.9)	9.64 (244.9)
3	80	5.50 (139.7)	7.43 (188.7)	7.89 (200.4)	13.22 (335.8)

Fig. 6. 3-way valves with MBE...R actuators.



Size		Dimensions, in. (mm)			
in.	DN	A	B	C	D
4	100	6.50 (165.1)	8.62 (218.9)	9.96 (253.0)	16.02 (406.9)

Fig. 7. 3-way valves with MBP...6 actuators.



Size		Dimensions, in. (mm)			
in.	DN	A	B	C	D
5	125	7.50 (191)	10.00 (254)	13.50 (343)	21.00 (533)
6	150	8.00 (203)	10.30 (262)	13.50 (343)	23.40 (594)
8	200	9.00 (228.6)	11.50 (292.1)	14.65 (372.1)	23.14 (587.8)
10	250	11.00 (279.4)	13.81 (350.8)	16.80 (426.7)	23.90 (607.1)
12	300	12.00 (304.8)	15.22 (386.6)	18.01 (457.5)	25.65 (651.5)
14	350	14.00 (355.6)	17.62 (447.5)	20.08 (510.0)	29.84 (757.9)
16	400	15.00 (381.0)	19.00 (482.6)	21.27 (540.3)	31.29 (794.8)

Fig. 8. 3-way valves with MBP...9,B,D,E actuators.

ACTUATOR SPECIFICATIONS

Table 3. Actuators Used on 2-Way Assemblies.

Assembly	Actuator	Assembly	Actuator	Assembly	Actuator
VH2F6LPN2/M	MBP6LRN2/U	VH2H7LTF2/M	MBS7L1F2/U	VH2N6LPSH/M	MBP6L9SH/U
VH2F7LPF2/M	MBP7LRF2/U	VH2H8LSN2/M	MBS8L1N2/U	VH2N7LPBH/M	MBP7L9SH/U
VH2F7LSF2/M	MBS7L1F2/U	VH2H8LTN2/M	MBS8L1N2/U	VH2P6LPSH/M	MBP6L9SH/U
VH2F7LTF2/M	MBS7L1F2/U	VH2J6LPN2/M	MBP6LRN2/U	VH2P7LPBH/M	MBP7L9SH/U
VH2F8LSN2/M	MBS8L1N2/U	VH2J7LPF2/M	MBP7LRF2/U	VH2R6LPSH/M	MBP6LBSH/U
VH2F8LTN2/M	MBS8L1N2/U	VH2J7LSF2/M	MBS7L1F2/U	VH2R7LPBH/M	MBP7LBBH/U
VH2G6LPN2/M	MBP6LRN2/U	VH2J7LTF2/M	MBS7L1F2/U	VH2S6HPSH/M	MBP6HDSH/U
VH2G7LPF2/M	MBP7LRF2/U	VH2J8LSN2/M	MBS8L1N2/U	VH2S7HPBH/M	MBP7HDBH/U
VH2G7LSF2/M	MBS7L1F2/U	VH2J8LTN2/M	MBS8L1N2/U	VH2T6HPSH/M	MBP6HDSH/U
VH2G7LTF2/M	MBS7L1F2/U	VH2K6UESH/M	MBE6U6SH/U	VH2T7HPBH/M	MBP7HDBH/U
VH2G8LSN2/M	MBS8L1N2/U	VH2K7UEBH/M	MBE7U6BH/U	VH2U6HPSH/M	MBP6HFSH/U
VH2G8LTN2/M	MBS8L1N2/U	VH2L6UESH/M	MBE6U6SH/U	VH2U7HPBH/M	MBP7HFBH/U
VH2H6LPN2/M	MBP6LRN2/U	VH2L7UEBH/M	MBE7U6BH/U	VH2V6HPSH/M	MBP6HGSH/U
VH2H7LPF2/M	MBP7LRF2/U	VH2M6LPSH/M	MBP6L9SH/U	VH2V7HPBH/M	MBP7HGBH/U
VH2H7LSF2/M	MBS7L1F2/U	VH2M7LPBH/M	MBP7L9SH/U		

Table 4. Actuators Used on 3-way Mixing Assemblies.

Assembly	Actuator	Assembly	Actuator	Assembly	Actuator
VH3F6LPN2/M	MBP6LRN2/U	VH4F6LPN2/M	MBP6LRN2/U	VH5F6LPN2/M	MBP6LRN2/U
VH3F7LEF2/M	MBE7LRF2/U	VH4F7LEF2/M	MBE7LRF2/U	VH5F7LEF2/M	MBE7LRF2/U
VH3F7LPF2/M	MBP7LRF2/U	VH4F7LPF2/M	MBP7LRF2/U	VH5F7LPF2/M	MBP7LRF2/U
VH3F8LEN2/M	MBE6LRN2/U	VH4F8LEN2/M	MBE6LRN2/U	VH5F8LEN2/M	MBE6LRN2/U
VH3G6LPN2/M	MBP6LRN2/U	VH4G6LPN2/M	MBP6LRN2/U	VH5G6LPN2/M	MBP6LRN2/U
VH3G7LEF2/M	MBE7LRF2/U	VH4G7LEF2/M	MBE7LRF2/U	VH5G7LEF2/M	MBE7LRF2/U
VH3G7LPF2/M	MBP7LRF2/U	VH4G7LPF2/M	MBP7LRF2/U	VH5G7LPF2/M	MBP7LRF2/U
VH3G8LEN2/M	MBE6LRN2/U	VH4G8LEN2/M	MBE6LRN2/U	VH5G8LEN2/M	MBE6LRN2/U
VH3H6LPN2/M	MBP6LRN2/U	VH4H6LPN2/M	MBP6LRN2/U	VH5H6LPN2/M	MBP6LRN2/U
VH3H7LEF2/M	MBE7LRF2/U	VH4H7LEF2/M	MBE7LRF2/U	VH5H7LEF2/M	MBE7LRF2/U
VH3H7LPF2/M	MBP7LRF2/U	VH4H7LPF2/M	MBP7LRF2/U	VH5H7LPF2/M	MBP7LRF2/U
VH3H8LEN2/M	MBE6LRN2/U	VH4H8LEN2/M	MBE6LRN2/U	VH5H8LEN2/M	MBE6LRN2/U
VH3J6UPSH/M	MBP6U6SH/U	VH4J6UPSH/M	MBP6U6SH/U	VH5J6UPSH/M	MBP6U6SH/U
VH3J7UPBH/M	MBP7U6BH/U	VH4J7UPBH/M	MBP7U6BH/U	VH5J7UPBH/M	MBP7U6BH/U
VH3K6UPSH/M	MBP6L9SH/U	VH4K6UPSH/M	MBP6L9SH/U	VH5K6UPSH/M	MBP6L9SH/U
VH3K7UPBH/M	MBP7L9SH/U	VH4K7UPBH/M	MBP7L9SH/U	VH5K7UPBH/M	MBP7L9SH/U
VH3L6LPSH/M	MBP6L9SH/U	VH4L6LPSH/M	MBP6L9SH/U	VH5L6LPSH/M	MBP6L9SH/U
VH3L7LPBH/M	MBP7L9SH/U	VH4L7LPBH/M	MBP7L9SH/U	VH5L7LPBH/M	MBP7L9SH/U
VH3M6LPSH/M	MBP6L9SH/U	VH4M6LPSH/M	MBP6L9SH/U	VH5M6LPSH/M	MBP6L9SH/U
VH3M7LPBH/M	MBP7L9SH/U	VH4M7LPBH/M	MBP7L9SH/U	VH5M7LPBH/M	MBP7L9SH/U
VH3N6LPSH/M	MBP6L9SH/U	VH4N6LPSH/M	MBP6L9SH/U	VH5N6LPSH/M	MBP6L9SH/U
VH3N7LPBH/M	MBP7L9SH/U	VH4N7LPBH/M	MBP7L9SH/U	VH5N7LPBH/M	MBP7L9SH/U
VH3P6LPSH/M	MBP6LBSH/U	VH4P6LPSH/M	MBP6LBSH/U	VH5P6LPSH/M	MBP6LBSH/U
VH3P7LPBH/M	MBP7LBBH/U	VH4P7LPBH/M	MBP7LBBH/U	VH5P7LPBH/M	MBP7LBBH/U
VH3R6HPSH/M	MBP6HDSH/U	VH4R6HPSH/M	MBP6HDSH/U	VH5R6HPSH/M	MBP6HDSH/U
VH3R7HPBH/M	MBP7HDBH/U	VH4R7HPBH/M	MBP7HDBH/U	VH5R7HPBH/M	MBP7HDBH/U
VH3S6HPSH/M	MBP6HDSH/U	VH4S6HPSH/M	MBP6HDSH/U	VH5S6HPSH/M	MBP6HDSH/U
VH3S7HPBH/M	MBP7HDBH/U	VH4S7HPBH/M	MBP7HDBH/U	VH5S7HPBH/M	MBP7HDBH/U

Table 5. Actuators Used on 3-Way Diverting Assemblies.

Assembly	Actuator	Assembly	Actuator	Assembly	Actuator
VH6F6LPN2/M	MBP6LRN2/U	VH7F6LPN2/M	MBP6LRN2/U	VH8F6LPN2/M	MBP6LRN2/U
VH6F7LEF2/M	MBE7LRF2/U	VH7F7LEF2/M	MBE7LRF2/U	VH8F7LEF2/M	MBE7LRF2/U
VH6F7LPF2/M	MBP7LRF2/U	VH7F7LPF2/M	MBP7LRF2/U	VH8F7LPF2/M	MBP7LRF2/U
VH6F8LEN2/M	MBE6LRN2/U	VH7F8LEN2/M	MBE6LRN2/U	VH8F8LEN2/M	MBE6LRN2/U
VH6G6LPN2/M	MBP6LRN2/U	VH7G6LPN2/M	MBP6LRN2/U	VH8G6LPN2/M	MBP6LRN2/U
VH6G7LEF2/M	MBE7LRF2/U	VH7G7LEF2/M	MBE7LRF2/U	VH8G7LEF2/M	MBE7LRF2/U
VH6G7LPF2/M	MBP7LRF2/U	VH7G7LPF2/M	MBP7LRF2/U	VH8G7LPF2/M	MBP7LRF2/U
VH6G8LEN2/M	MBE6LRN2/U	VH7G8LEN2/M	MBE6LRN2/U	VH8G8LEN2/M	MBE6LRN2/U
VH6H6LPN2/M	MBP6LRN2/U	VH7H6LPN2/M	MBP6LRN2/U	VH8H6LPN2/M	MBP6LRN2/U
VH6H7LEF2/M	MBE7LRF2/U	VH7H7LEF2/M	MBE7LRF2/U	VH8H7LEF2/M	MBE7LRF2/U
VH6H7LPF2/M	MBP7LRF2/U	VH7H7LPF2/M	MBP7LRF2/U	VH8H7LPF2/M	MBP7LRF2/U
VH6H8LEN2/M	MBE6LRN2/U	VH7H8LEN2/M	MBE6LRN2/U	VH8H8LEN2/M	MBE6LRN2/U
VH6J6UPSH/M	MBP6U6SH/U	VH7J6UPSH/M	MBP6U6SH/U	VH8J6UPSH/M	MBP6U6SH/U
VH6J7UPBH/M	MBP7U6BH/U	VH7J7UPBH/M	MBP7U6BH/U	VH8J7UPBH/M	MBP7U6BH/U
VH6K6UPSH/M	MBP6L9SH/U	VH7K6UPSH/M	MBP6L9SH/U	VH8K6UPSH/M	MBP6L9SH/U
VH6K7UPBH/M	MBP7L9SH/U	VH7K7UPBH/M	MBP7L9SH/U	VH8K7UPBH/M	MBP7L9SH/U
VH6L6LPSH/M	MBP6L9SH/U	VH7L6LPSH/M	MBP6L9SH/U	VH8L6LPSH/M	MBP6L9SH/U
VH6L7LPBH/M	MBP7L9SH/U	VH7L7LPBH/M	MBP7L9SH/U	VH8L7LPBH/M	MBP7L9SH/U
VH6M6LPSH/M	MBP6L9SH/U	VH7M6LPSH/M	MBP6L9SH/U	VH8M6LPSH/M	MBP6L9SH/U
VH6M7LPBH/M	MBP7L9SH/U	VH7M7LPBH/M	MBP7L9SH/U	VH8M7LPBH/M	MBP7L9SH/U
VH6N6LPSH/M	MBP6L9SH/U	VH7N6LPSH/M	MBP6L9SH/U	VH8N6LPSH/M	MBP6L9SH/U
VH6N7LPBH/M	MBP7L9SH/U	VH7N7LPBH/M	MBP7L9SH/U	VH8N7LPBH/M	MBP7L9SH/U
VH6P6LPSH/M	MBP6LBSH/U	VH7P6LPSH/M	MBP6LBSH/U	VH8P6LPSH/M	MBP6LBSH/U
VH6P7LPBH/M	MBP7LBBH/U	VH7P7LPBH/M	MBP7LBBH/U	VH8P7LPBH/M	MBP7LBBH/U
VH6R6HPSH/M	MBP6HDSH/U	VH7R6HPSH/M	MBP6HDSH/U	VH8R6HPSH/M	MBP6HDSH/U
VH6R7HPBH/M	MBP7HDBH/U	VH7R7HPBH/M	MBP7HDBH/U	VH8R7HPBH/M	MBP7HDBH/U
VH6S6HPSH/M	MBP6HDSH/U	VH7S6HPSH/M	MBP6HDSH/U	VH8S6HPSH/M	MBP6HDSH/U
VH6S7HPBH/M	MBP7HDBH/U	VH7S7HPBH/M	MBP7HDBH/U	VH8S7HPBH/M	MBP7HDBH/U

Table 6. Actuator Specification Data.

Actuator Model	Torque	Control Inputs	Fail Safe (Timing)	Supply Voltage	Transformer Sizing	Ambient Temp.	Timing	Enclosure	Aux. Switch	Wiring Diagram
MBS8L1N2/U	180 in-lb (20 Nm)	2-position	Spring fail-safe (<20s)	24 VAC, ±20%, 50/60 Hz; 24 VDC, -10% / +20%	10 VA (class 2)	-22°F to 122°F (-30°C to 50°C)	150s	IP 54 NEMA 2		Fig. 15
MBS7L1F2/U		Modulating								Fig. 17
MBP6LRN2/U	360 in-lb (40 Nm)	2-position; Floating	Fail-in-place	24 VAC, ±20%, 50/60 Hz; 24 VDC, ±10%	6 VA (class 2)	-22°F to 122°F (-30°C to 50°C)	150s	IP 54 NEMA 2		Fig. 15
MBP7LRF2/U		Modulating			7 VA (class 2)					Fig. 17
MBE6LRN2/U	360 in-lb (40 Nm)	2-position; Floating	Electronic fail-safe (35s)	24 VAC ± 20%, 50/60 Hz; 24 VDC ± 10%	21 VA (class 2)	22°F to 122°F (-30°C to 50°C)	150s	IP 54 NEMA 2		Fig. 18
MBE7LRF2/U		Modulating								Fig. 19
MBP6U6SH/U	1400 in-lb (160 Nm)	2-position; Floating	Fail-in-place	24...240 VAC, -20% / +10%, 50/60 Hz; 24...125 VDC, -20% / +10%	20 VA @ 24 VAC/DC (class 2); 23 VA @ 120 VAC/DC; 52 VA @ 230 VAC	22°F to 122°F (-30°C to 50°C)	35s	IP 66/67 NEMA 4X w/Heater	2 x SPDT*	Fig. 20
MBP7U6BH/U		Modulating								Fig. 21
MBE6U6SH/U	1400 in-lb (160 Nm)	2-position; Floating	Electronic fail-safe (30s)	24...240 VAC, -20% / +10%, 50/60 Hz; 24...125 VDC, -20% / +10%	55 VA @ 24 VAC/DC (class 2); 43 VA @ 120 VAC/DC; 68 VA @ 230 VAC	-22°F to 122°F (-30°C to 50°C)	35s	IP 66/67 NEMA 4X w/Heater	2 x SPDT*	Fig. 20
MBE7U6BH/U		Modulating								Fig. 21
MBP6L9SH/U	3540 in-lb (400 Nm)	2-position	Fail-in-place	24 VAC, ±10%, 50/60 Hz; 24 VDC, ±10%	226 VA	-22°F to 150°F (-30°C to 65°C)	20s	IP 66/67 NEMA 4X w/Heater	2 x SPDT**	Fig. 23
MBP7L9SH/U		Modulating								Fig. 24
MBP6LBSH/U	4425 in-lb (500 Nm)	2-position	Fail-in-place	24 VAC, ±10%, 50/60 Hz; 24 VDC, ±10%	214 VA	-22°F to 150°F (-30°C to 65°C)	26s	IP 66/67 NEMA 4X w/Heater	2 x SPDT**	Fig. 23
MBP7LBBH/U		Modulating								Fig. 24
MBP6HDSH/U	8850 in-lb (1000 Nm)	2-position	Fail-in-place	120 VAC, ±10%, 50/60 Hz	504 VA	-22°F to 150°F (-30°C to 65°C)	50s	IP 66/67 NEMA 4X w/Heater	2 x SPDT**	Fig. 25
MBP7HDBH/U		Modulating			240 VA		59s			Fig. 26
MBP6HESH/U	13275 in-lb (1500 Nm)	2-position	Fail-in-place	120 VAC, ±10%, 50/60 Hz	504 VA	-22°F to 150°F (-30°C to 65°C)	51s	IP 66/67 NEMA 4X w/Heater	2 x SPDT**	Fig. 25
MBP7HEBH/U		Modulating			336 VA		79s			Fig. 26
MBP6HFSH/U	17700 in-lb (2000 Nm)	2-position	Fail-in-place	120 VAC, ±10%, 50/60 Hz	360 VA	-22°F to 150°F (-30°C to 65°C)	62s	IP 66/67 NEMA 4X w/Heater	2 x SPDT**	Fig. 25
MBP7HFBH/U		Modulating			324 VA		65s			Fig. 26
MBP6HGSH/U	22125 in-lb (2500 Nm)	2-position	Fail-in-place	120 VAC, ±10%, 50/60 Hz	384 VA	-22°F to 150°F (-30°C to 65°C)	62s	IP 66/67 NEMA 4X w/Heater	2 x SPDT**	Fig. 25
MBP7HGBH/U		Modulating			360 VA		76s			Fig. 26

*3A resistive (0.5A inductive) @ 250 VAC, one set at 10°, one adjustable 10° to 90°

**3A resistive (0.5A inductive) @ 250 VAC, one set at 10°, one set at 85°

Table 7. Duty Cycle on High Torque Actuators.

Actuator Model	Torque	Control Inputs	Duty Cycle
MBP6L9SH/U	3540 in-lb (400 Nm)	2-position	75%
MBP7L9SH/U		Modulating	
MBP6LBSH/U	4425 in-lb (500 Nm)	2-position	75%
MBP7LBBH/U		Modulating	
MBP6HDSH/U	8850 in-lb (1000 Nm)	2-position	30%
MBP7HDBH/U		Modulating	75%
MBP6HESH/U	13275 in-lb (1500 Nm)	2-position	30%
MBP7HEBH/U		Modulating	75%
MBP6HFSH/U	17700 in-lb (2000 Nm)	2-position	30%
MBP7HFBH/U		Modulating	50%
MBP6HGSH/U	22125 in-lb (2500 Nm)	2-position	30%
MBP7HGBH/U		Modulating	50%

3-WAY VALVE CONFIGURATIONS

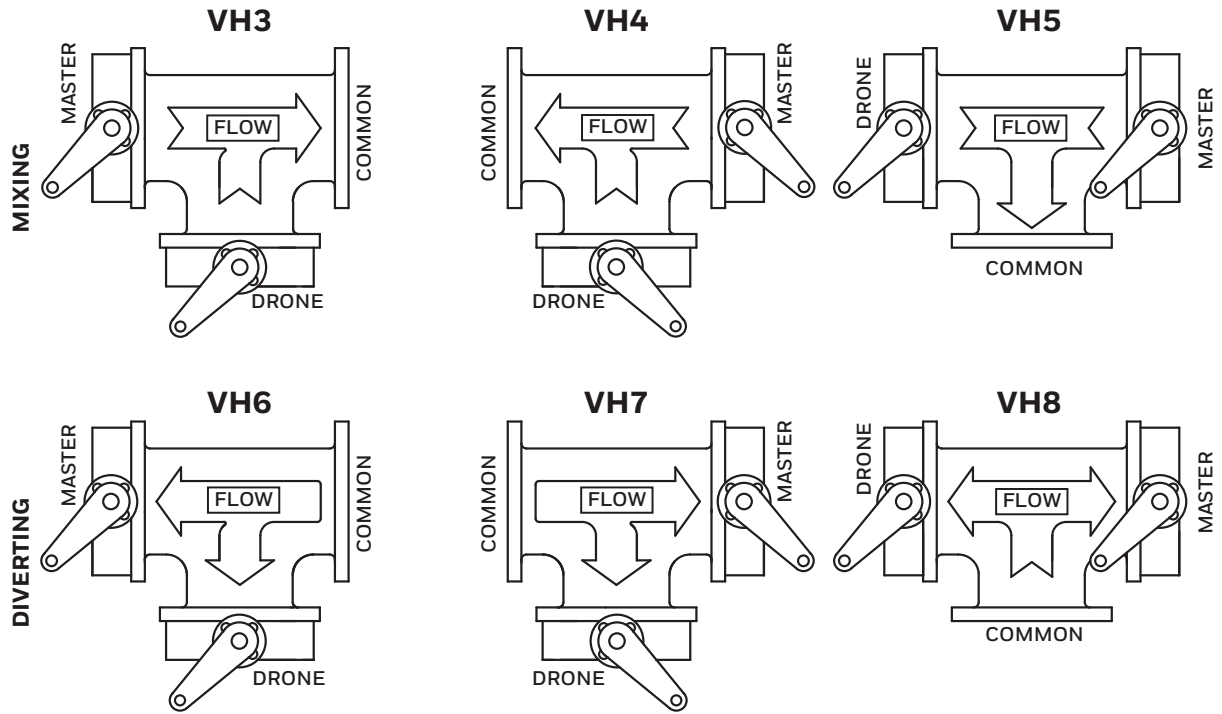


Fig. 9. 3-way valve configurations.

Table 8. Valve Cv.

Valve Size		Cv								
in.	DN	10°	20°	30°	40°	50°	60°	70°	80°	90°
2	50	1.5	6.1	14	26	39	56	77	99	102
2.5	65	2.2	8.8	20	37	55	80	110	142	146
3	80	3.4	14	32	57	87	125	171	221	228
4	100	6.8	27	63	114	171	248	338	437	451
5	125	11	43	100	180	271	393	536	693	714
6	150	17	66	154	278	419	607	827	1070	1103
8	200	31	124	289	520	784	1135	1548	2002	2064
10	250	53	211	492	886	1336	1934	2638	3411	3517
12	300	73	290	677	1219	1838	2660	3628	4692	4837
14	350	90	392	914	1646	2481	3592	4898	6530	6857
16	400	132	531	1230	2229	3361	4865	6634	8845	9287
18	450	171	684	1596	2873	4332	6270	8550	11270	11400
20	500	307	828	1932	3478	5244	7590	10350	13800	14420
24	600	315	1260	2940	5292	7890	11550	15750	21000	22050

Table 9. Flow Rate.

Valve Size		Flow Rate in GPM							
in.	DN	4 FPS	8 FPS	12 FPS	16 FPS	20 FPS	24 FPS	28 FPS	32 FPS
2	50	39	78	118	157	196	235	274	313
2.5	65	61	122	184	245	306	367	428	490
3	80	88	176	264	353	441	529	617	705
4	100	157	313	470	627	783	940	1097	1253
5	125	245	490	734	979	1224	1469	1714	1958
6	150	352	705	1058	1410	1763	2115	2468	2820
8	200	627	1253	1880	2507	3133	3760	4387	5013
10	250	979	1958	2938	3917	4896	5875	6854	7834
12	300	1410	2820	4230	5640	7050	8460	9870	11280
14	350	1919	3838	5738	7677	9596	11515	13435	15354
16	400	2507	5013	7520	10027	12534	15040	17547	20054
18	450	3173	6345	9518	12690	15863	19036	22208	25381
20	500	3917	7834	11750	15667	19584	23501	27418	31334
24	600	5640	11280	16921	22561	28201	33841	39481	45121

INSTALLATION

Valve Design

- The VH Series High Performance Butterfly Valve features a double offset (or, double eccentric) shaft design to minimize seat abrasion and lower torque. This double offset design allows the disc to lift off and “cam” away from the seat as it rotates open.
- The VH series valve always rotates clockwise to close (when viewed from above) and counterclockwise to open.
- The valve body has an Overtravel Stop which prevents the disc from over rotating into the wrong quadrant. This stop is not to be used as a disc position stop; if the disc contacts the Overtravel Stop, this means it has rotated beyond the seat.
- The VH series valve must be installed with the seat in the upstream position (SUS). Note the arrow on the metal tag attached to the valve body.

Safety Precautions

- Be sure the line is depressurized and drained.
- Be sure of the pipeline media. Proper care should be taken for protection against toxic and/or flammable fluids.
- Never install the valve without an Operator (Manual or Automatic) already attached to the valve shaft.
- Never remove the Operator from the valve while the valve is in the pipeline under pressure.
- Always be sure that the disc is in the full-closed position before installing the valve.
- Take care in handling the valve.

Flange Compatibility

The VH series valve is designed to fit between ANSI Class 150 flanges for valves 2” to 24” in size.

Gasket Compatibility

The VH series valve is designed to accommodate the use of standard fiber gaskets (such as non-asbestos, flexible graphite, asbestos or equivalent gasket materials) of 1/16” or less, meeting the dimensional requirements of ANSI B16.21-1978. Thick elastomeric gaskets are not recommended. Metallic wound (Flexitallic) gaskets may also be used.

Pipe Schedule Compatibility

The VH series valve is designed to allow the disc edge to rotate into the open position without interference with the pipeline I.D. in the following pipe schedules:

Table 10. Pipe Compatibility.

Size	Pipe Schedule
2" - 12"	SCH 80
14" - 24"	SCH 40

Product Identification

- Every VH series valve has a metal identification tag attached to the valve body. Information includes the Figure Number, the Size and Pressure Class, the Materials of Construction, and the Operating Pressures and Temperatures.
- Every VH series valve is hydrostatically tested before it is shipped. The metal tag also includes a Serial Number; this number, unique for each valve, is recorded by the Honeywell Quality Control Department along with the test results and material certification data, for individual traceability and verification of every valve produced.

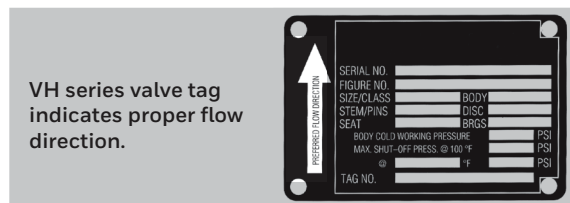


Fig. 10. Valve Identification.

Unpacking and Storage Instruction

1. Check the packing list against the valve received to verify that the quantities, sizes and materials are correct.
2. Check to make sure that the valve and operator were not damaged during shipment.
3. If the valve is to be stored before being installed, it should be protected from harsh environmental conditions.
4. Store the valve with the disc in the closed position to protect the sealing edge and the seat.
5. Keep the valve in a clean location, away from dirt, debris and corrosive materials.
6. Keep the valve in a dry area with the flange protectors attached.
7. Keep the valve in a cool location if possible, out of direct sunlight.
8. If not in use, exercise the butterfly valve (full open and close) at least once a month.

Storage of Butterfly Valve Assemblies

- Assemblies must be stored indoors, protected from the elements.
- Materials received on job sites that have long installation lead times should receive extra protection from construction damage.
- Valve faces must be protected from abrasion, cutting and nicking, as this will damage the face and may cause flange area leaks.
- Electric actuators cannot be stored in wet, damp or caustic areas.
- Do not store construction material on top of valve assemblies.

Installation Practices

- VH series butterfly valves are designed to be installed between ANSI 125/150 flat-faced or raised face, slip-on weld neck flanges.
- Valve should be installed a minimum of 6 pipe diameters from upstream or downstream elbows, strainers, pumps, etc.
- For chilled water, condenser water or hot water applications, the valve should be installed with the stem in a vertical orientation, with the actuator mounted above the valve.
- For applications in which there is a possibility of sediment in the flow, the valve should be installed with the stem in a horizontal position and the bottom of the disc should close FROM the downstream side, rather than from the upstream side.
- Flange gaskets must be used on VH series BF valves.
- Make sure the flange faces are clean and free of rust, scale and debris to prevent damage to the flange gasket.
- Follow the recommended flange bolting sequence found in Fig. 12.

Installation using Welded Flanges

- Mount flanges on both sides of valve body and install bolts to properly align valve body and both flanges.
- Make sure the valve I.D. and flange internal diameters are in alignment.
- Take valve body / flange pair assembly and align with piping ends.
- TACK weld the flanges to the piping in several places. Do NOT seam weld at this time!
- Remove the lug bolts and carefully remove the valve body from the flanges.
- Seam weld the entire flange / piping connection for both flanges.
- Let the piping components cool completely before re-inserting the valve body.



WARNING

Seam welding with the valve body installed between the flanges can damage the valve seats due to heat migration through the flange to the valve body.

Pre-Installation Procedure

1. Remove the protective face covers from the valve.
2. Inspect the valve to be certain the waterway is free from dirt and foreign matter. Be certain the adjoining pipeline is free from any foreign material such as rust and pipe scale or welding slag that could damage the seat and disc sealing surfaces.
3. Actuators should be mounted on the valve prior to installation to facilitate proper alignment of the disc in the valve seat.
4. The valve should be in the closed position. Make sure the open and closed positions of the actuator correspond to the counter-clockwise to open direction of rotation of the valve.

5. Cycle the valve to the fully open position, then back to the fully closed position, checking the actuator travel stop settings for proper disc alignment.
6. Check the valve identification tag for valve class, materials, and operating pressure to be sure they are correct for the application.



WARNING

Personal injury or property damage may result if the valve is installed where service conditions could exceed the valve ratings.

7. Check the flange bolts or studs for proper size, threading, and length.

REMEMBER: Install the valve with the disc in the full-closed position using the appropriate flange gaskets on BOTH valve flange faces.

Valve Installation Procedure

1. The VH Series High Performance Butterfly Valve can be installed in the pipeline with the shaft in the vertical, horizontal, or other intermediate position above the pipe centerline (Fig. 11.) Based on applications experience, however, in media with concentrations of solid or abrasive particles or media subject to solidification buildup, valve performance and service life will be enhanced by mounting the valve with the shaft in the horizontal position.

NOTE: Actuator must be mounted at or above pipe centerline for all actuator types.

2. All VH series valves are directional and must be mounted in the pipeline with the seat retainer ring located upstream (sus) to provide maximum seat protection.
For VH Series valves:
 - a. Noting the flow direction arrow on the tag, place the valve between the flanges, making sure the arrow on the tag points in the direction of the flow.
 - b. Install the lower flange bolts loosely, leaving space for the flange gaskets.
 - c. After inserting the flange gaskets, install the remaining bolts.
3. Using the sequence shown in Fig. 12, tighten the flange bolts evenly to assure uniform gasket compression.



CAUTION

The VH series valve should be centered between the flanges and gaskets to prevent damage to the disc edge and shaft as a result of the disc striking the flange, gasket, or pipe.

4. Electricity should be connected to the unit as specified by the actuator manufacturer.
5. The valve is now ready for operation.

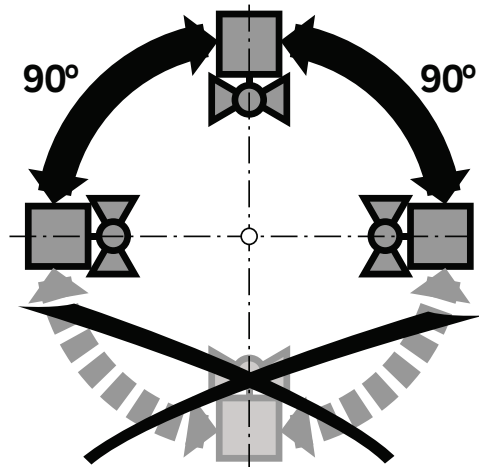


Fig. 11.

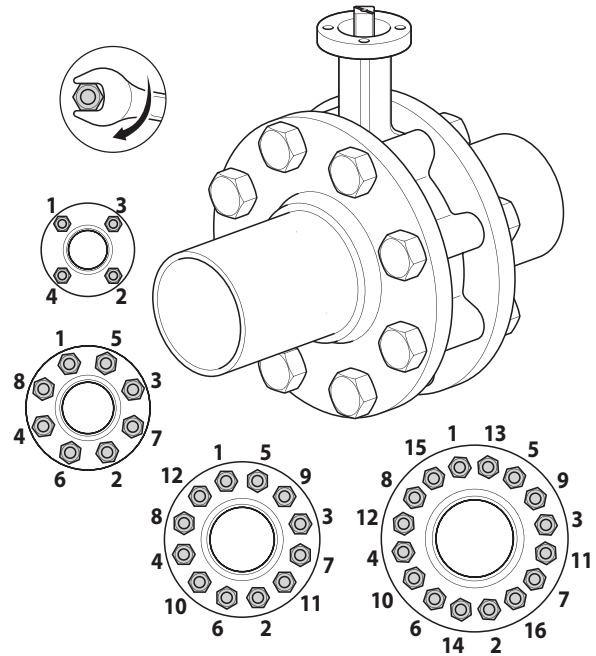


Fig. 12. Bolting Sequence.

Table 11. Flange Bolting Recommendations.

Valve Size (inches)	Thread Size	Studs and Nuts				Machine Bolts			
		C QTY	Length (inches)	D QTY	Length (inches)	F QTY	Length (inches)	G QTY	Length (inches)
2	5/8-11	4	2.5	4	2.5	4	1.63	4	1.63
2.5	5/8-11	4	2.75	4	2.75	4	1.85	4	1.85
3	5/8-11	4	3.25	4	2.5	4	2.25	4	1.63
4	5/8-11	8	3	8	2.75	8	2.12	8	1.88
5	3/4-10	8	3	8	3	8	2	8	2
6	3/4-10	8	3.5	8	3	8	2.5	8	1.88
8	3/4-10	8	3.75	8	3.25	8	2.7	8	2.13
10	7/8-9	12	4.25	12	3.5	12	3	12	2.25
12	7/8-9	12	4.75	12	3.5	12	3.45	12	2.35
14	1-8	12	5	12	4	12	3.75	12	2.7
16	1-8	16	5.5	16	4.25	16	4.12	16	2.75
18	1-1/8-8	16	5.75	16	4.75	16	4.38	16	3.25
20	1-1/8-8	16	6.75	16	4.75	16	5.12	16	3.25
	1-1/8-8	4	5.5	4	4.75	4	4.12	4	3.25
24	1-1/4-8	20	7.25	20	5.75	20	5.63	20	4.25

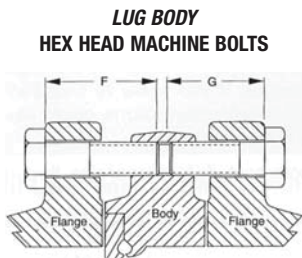


Fig. 13. Bolting.

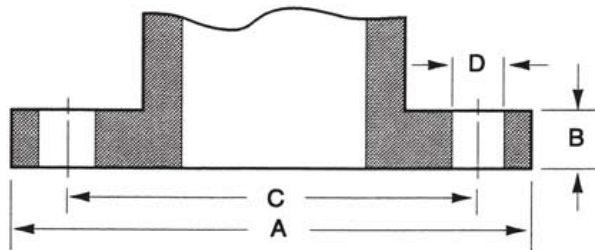
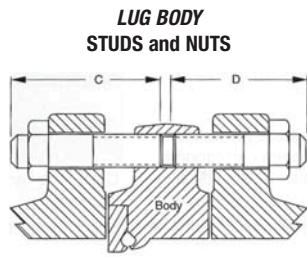


Fig. 14. Flanges.

Bolting and torque recommendations are made without warranty, and apply only to steel weld-neck or slip-on flanges.

The use of lock washers and/or lubrication with the bolting will affect stated torque values.

Length of machine bolts based on:

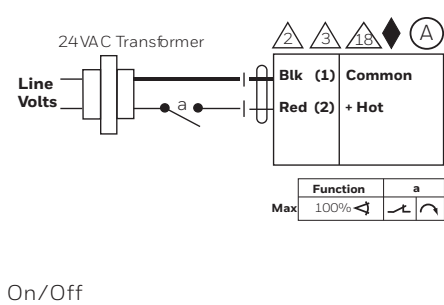
1. Gasket thickness of 0.06 inches.
2. Minimum flange thickness of weld-neck flanges per ANSI B16.5 and B16.47 Series A.

* Variation to specified bolting length may result in improper installation.

Table 12. Flange Dimensions.

Nominal Pipe Size (inches)	FLANGES		DRILLING		BOLTING	
	A Flange Diameter (inches)	B Flange Thickness (inches)	C Diameter of Bolt Circle (inches)	D Diameter of Bolt Holes (inches)	Number of Bolts	Diameter of Bolts
2	6	0.75	4.75	0.75	4	5/8
2.5	7	0.875	5.5	0.75	4	5/8
3	7.5	0.9375	6	0.75	4	5/8
4	9	0.9375	7.5	0.75	8	5/8
5	10	0.9375	8.5	0.875	8	3/4
6	11	1	9.5	0.875	8	3/4
8	13.5	1.125	11.75	0.875	8	3/4
10	16	1.1875	14.25	1	12	7/8
12	19	1.25	17	1	12	7/8
14	21	1.375	18.75	1.125	12	1
16	23.5	1.4375	21.25	1.125	16	1
18	25	1.625	22.75	1.25	16	1-1/8
20	27.5	1.6875	25	1.25	20	1-1/8
24	32	1.875	29.5	1.375	20	1-1/4

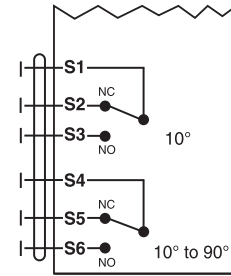
ELECTRICAL INSTALLATION



On/Off

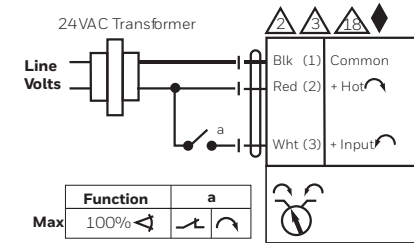
Notes:

- ◆ Meets cULus requirements without the need of an electrical ground connection
- Ⓐ Actuators with appliance cables are numbered.
- 2 Actuators may be connected in parallel. Power consumption and input impedance must be observed.
- 3 Actuators may also be powered by 24 VDC.
- 1a Actuators with plenum rated cable do not have numbers on wires; use color codes instead.

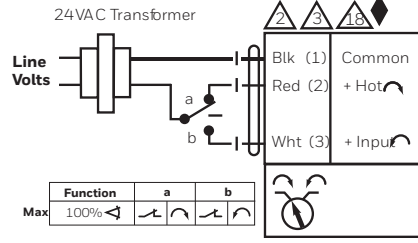


Auxiliary Switches

Fig. 15. Wiring for MBS8 actuators.



On/Off

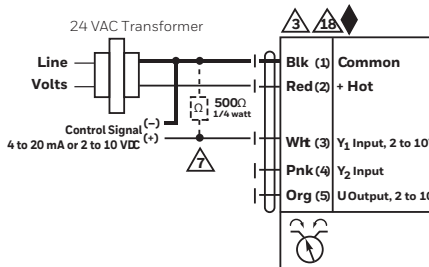


Floating Point

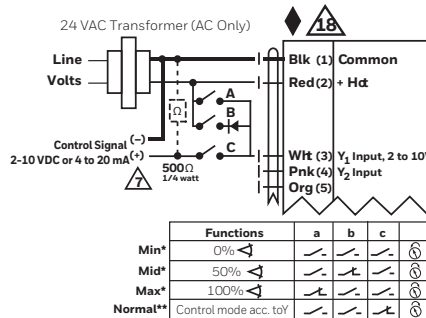
Notes:

- ◆ Meets cULus requirements without the need of an electrical ground connection
- 2 Actuators may be connected in parallel. Power consumption and input impedance must be observed.
- 3 Actuators may also be powered by 24 VDC.
- 1a Actuators with plenum rated cable do not have numbers on wires; use color codes instead.

Fig. 16. Wiring for MBP6...R actuators.



VDC / 4 to 20 mA



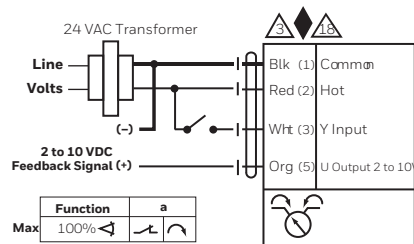
Override Control Min, Mid, Max Postions

Notes:

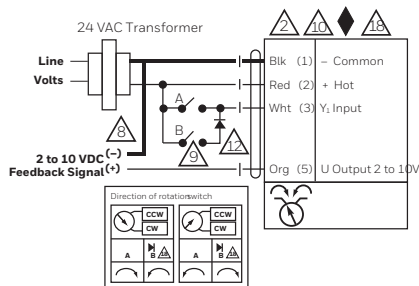
- ◆ Meets cULus requirements without the need of an electrical ground connection
- 3 Actuators may also be powered by 24 VDC.
- 7 A 500Ω resistor converts the 4 to 20 mA control signal to 2 to 10 VDC.
- 1a Actuators with plenum rated cable do not have numbers on wires; use color codes instead.

Fig. 17. Wiring for MBS7...1 and MBS7...R actuators.

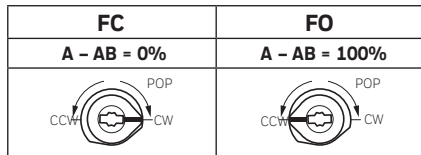
VH2, VH3, VH4, VH5, VH6, VH7, VH8 ANSI 150 CLASS HIGH PERFORMANCE BUTTERFLY VALVES



On/Off

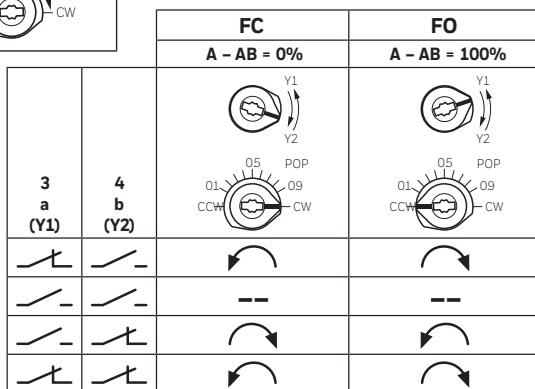


Floating Point



On/Off

24V AC/DC



Floating Point

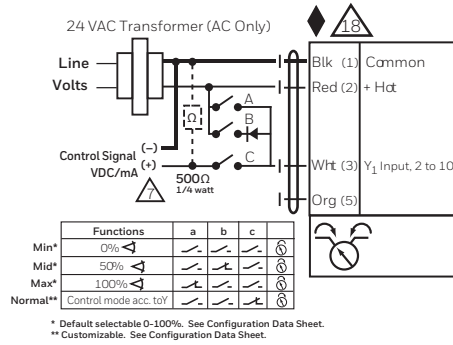
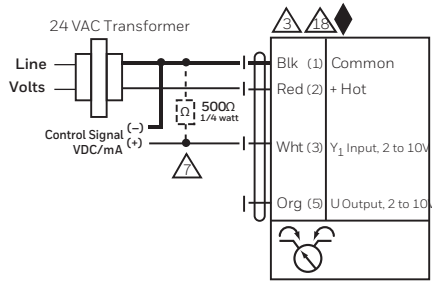
24V AC/DC

Notes:

- ◆ Meets cULus requirements without the need of an electrical ground connection
- △2 Actuators may be connected in parallel. Power consumption and input impedance must be observed.
- △3 Actuators may also be powered by 24 VDC.
- △8 Control signal may be pulsed from either the Hot (Source) or Common (Sink) 24 VAC line.
- △9 Contact closures A & B also can be triacs. A & B should both be closed for the triac source and open for triac sink.
- △10 For triac sink the Common connection from the actuator must be connected to the Hot connection of the controller. Position feedback cannot be used with a triac sink controller. The actuator internal common reference is not compatible.
- △12 IN4004 or IN4007 diode. (IN4007 supplied)
- △18 Actuators with plenum rated cable do not have numbers on wires; use color codes instead.

Fig. 18. Wiring for MBE6...R actuators.

VH2, VH3, VH4, VH5, VH6, VH7, VH8 ANSI 150 CLASS HIGH PERFORMANCE BUTTERFLY VALVES

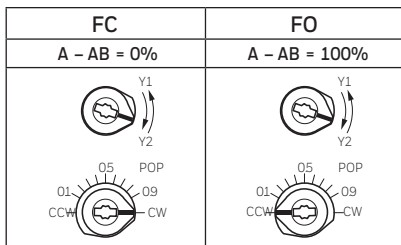


Notes:

- ◆ Meets cULus requirements without the need of an electrical ground connection
- ⚠ Actuators may also be powered by 24 VDC.
- ⚠ A 500Ω resistor converts the 4 to 20 mA control signal to 2 to 10 VDC.
- ⚠ For triac sink the Common connection from the actuator must be connected to the Hot connection of the controller. Position feedback cannot be used with a triac sink controller. The actuator internal common reference is not compatible.
- ⚠ Actuators with plenum rated cable do not have numbers on wires; use color codes instead.

VDC / 4 to 20 mA

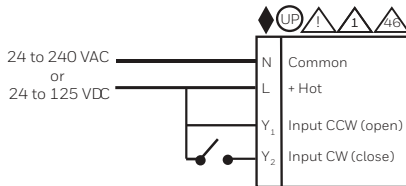
Override Control Min, Mid, Max Postions



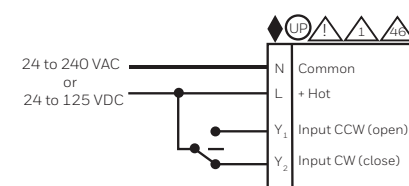
Modulating

24V AC/DC

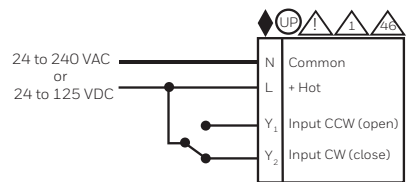
Fig. 19. Wiring for MBE7...R actuators.



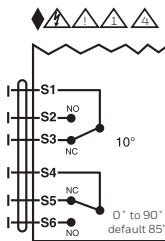
On/Off



Floating Point



On/Off



End Switches

Fig. 20. Wiring for MBP,E6...6 actuators.

Notes:

- ◆ Meets cULus requirements without the need of an electrical ground connection.
- ⚠ Provide overload protection and disconnect as required.
- ⚠ Two built-in auxiliary switches (2x SPDT), for end position indication, interlock control, fan startup, etc.
- ⚠ Actuators may be controlled in parallel. Current draw and input impedance must be observed
- Ⓢ Universal Power Supply (UP) models can be supplied with 24 VAC up to 240 VAC, or 24 VDC up to 125 VDC.
- ⚠ During installation, testing, servicing and troubleshooting of this product, it may be necessary to work with live electrical components. Have a qualified licensed electrician or other individual who has been properly trained in handling live electrical components perform these tasks. Failure to follow all electrical safety precautions when exposed to live electrical components could result in death or serious injury

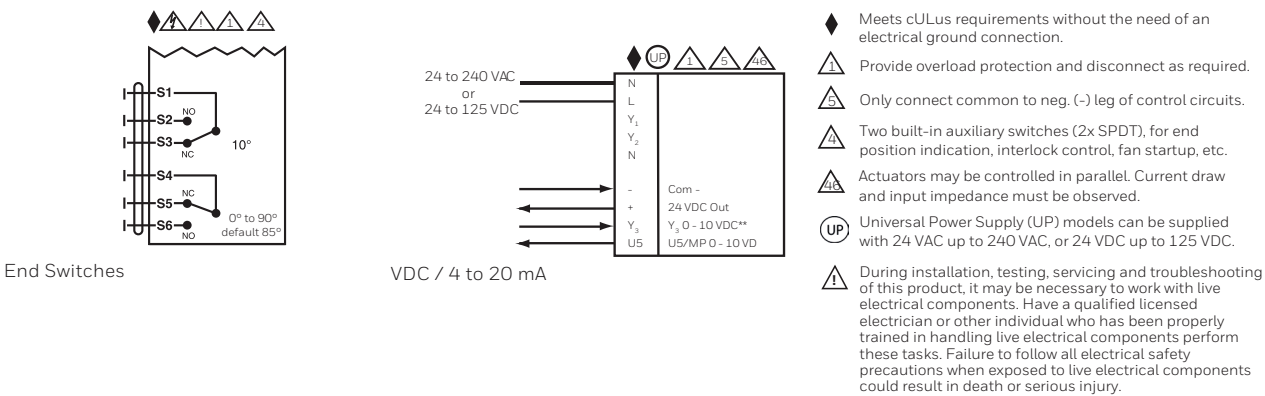
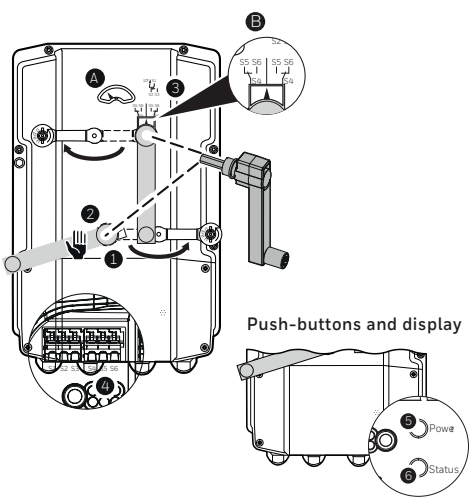


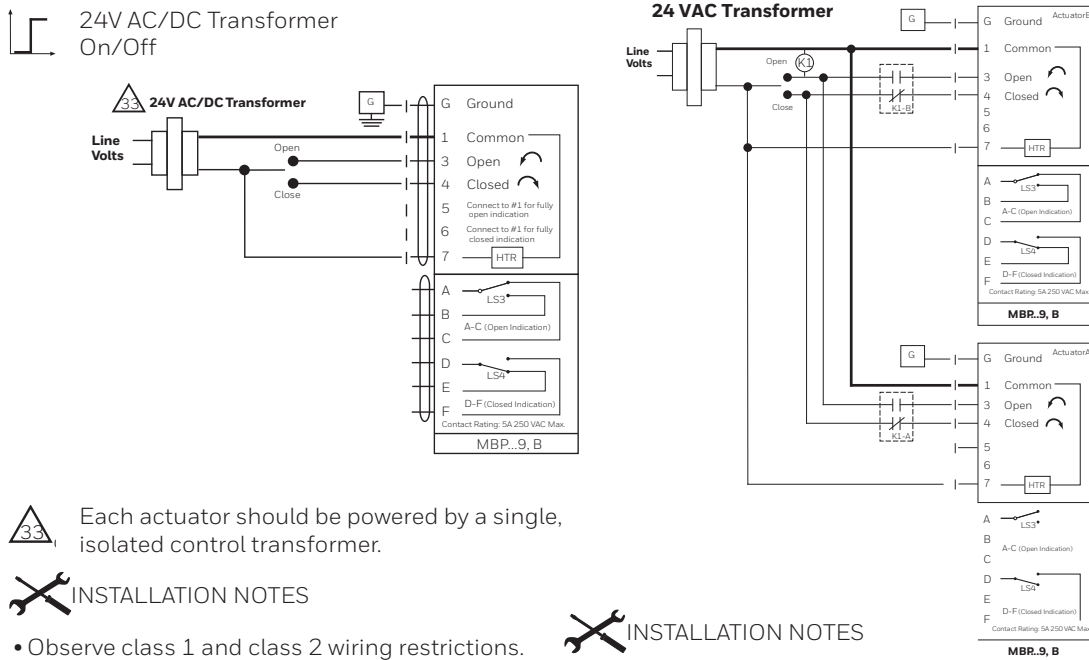
Fig. 21. Wiring for MBP,E7...6 actuators.



- ⚠ Disconnect power
- 1 Gear disengagement
Open the manual override cover and insert the hand crank. Manual override is possible.
- 2 Manual override
Turn the hand crank until A indicates the desired switching position and then remove the crank.
- 3 Auxiliary switch
Open the auxiliary switch adjustment cover and properly seat the hand crank into the actuator. B Turn the crank until the arrow points to the vertical line.
- 4 Terminals
Connect continuity tester to S4 + S5 or to S4 + S6. If the auxiliary switch should switch in the opposite direction, rotate the hand crank by 180°
- 5 LED Display Green
6 LED Display Yellow Off: No power supply or malfunction, On: In operation Press button: Triggers test run, followed by standard mode
- 6 LED Display Yellow
Off: Standard mode, On: Test run active.

Fig. 22. MBP,E...6 switch adjustment.

VH2, VH3, VH4, VH5, VH6, VH7, VH8 ANSI 150 CLASS HIGH PERFORMANCE BUTTERFLY VALVES



Each actuator should be powered by a single, isolated control transformer.

INSTALLATION NOTES

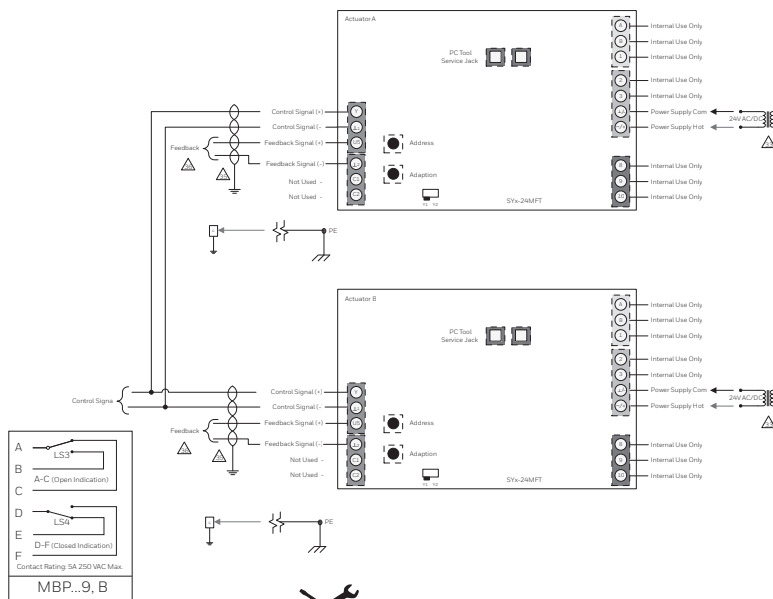
- Observe class 1 and class 2 wiring restrictions.
- Transformer sizing = MBP actuator draw X 1.25 (safety margin)

INSTALLATION NOTES

- Isolation relays must be used in parallel connection of multiple actuators using a common control signal input.
- "H" (L2) cannot be connected to terminal #3 and #4 simultaneously.
- Required: Terminal #7 needs to be field wired to enable heater circuit.

Fig. 23. Wiring for Wiring for MBP6...9,B actuators.

Proportional, Multiple Wiring, 24V MBP...9, B



INSTALLATION NOTES

Each actuator should be powered by a single, isolated control transformer.

- Observe class 1 and class 2 wiring restrictions.
- Transformer sizing = MBP actuator draw X 1.25 (safety margin)

Fig. 24. Wiring for MBP7...9,B.

VH2, VH3, VH4, VH5, VH6, VH7, VH8 ANSI 150 CLASS HIGH PERFORMANCE BUTTERFLY VALVES

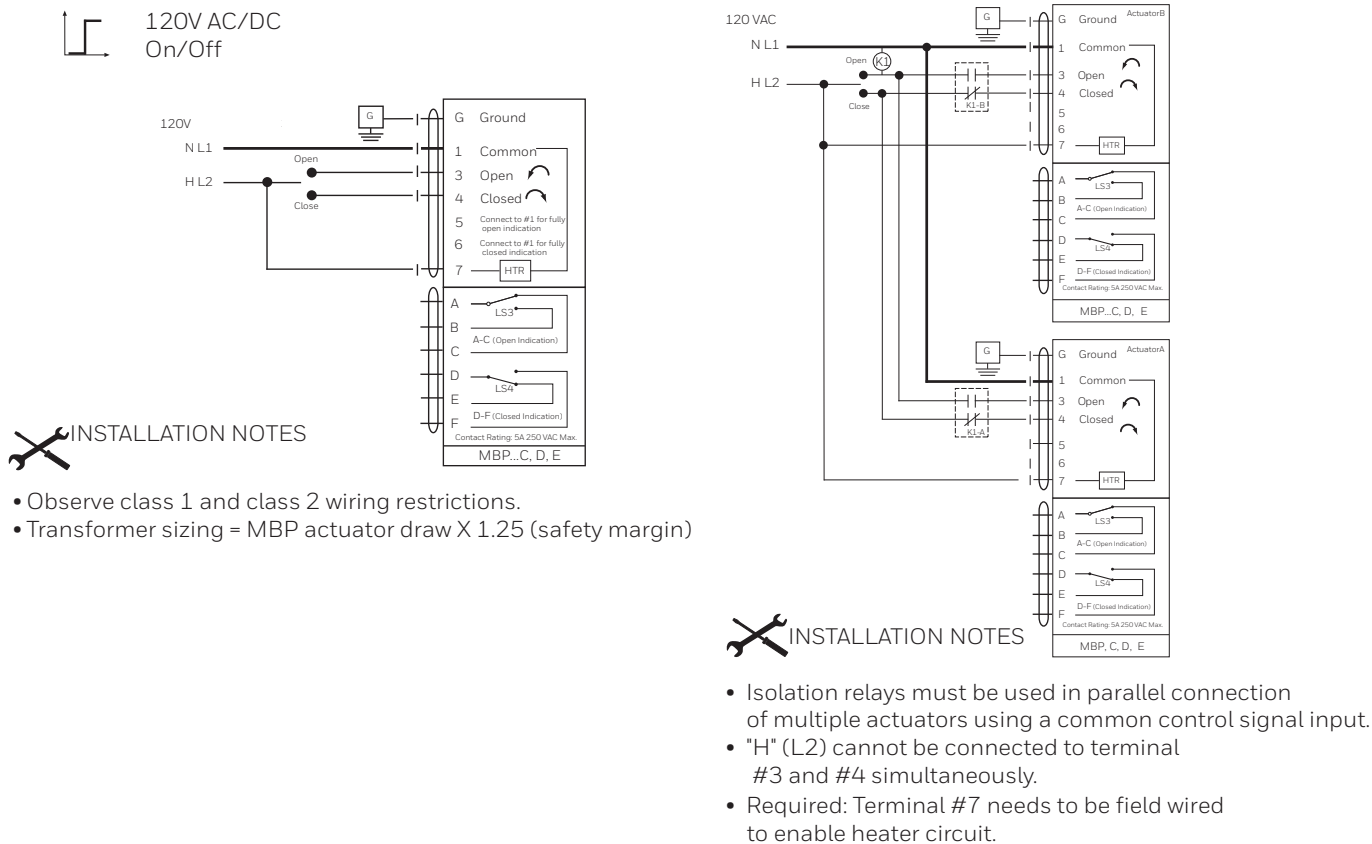
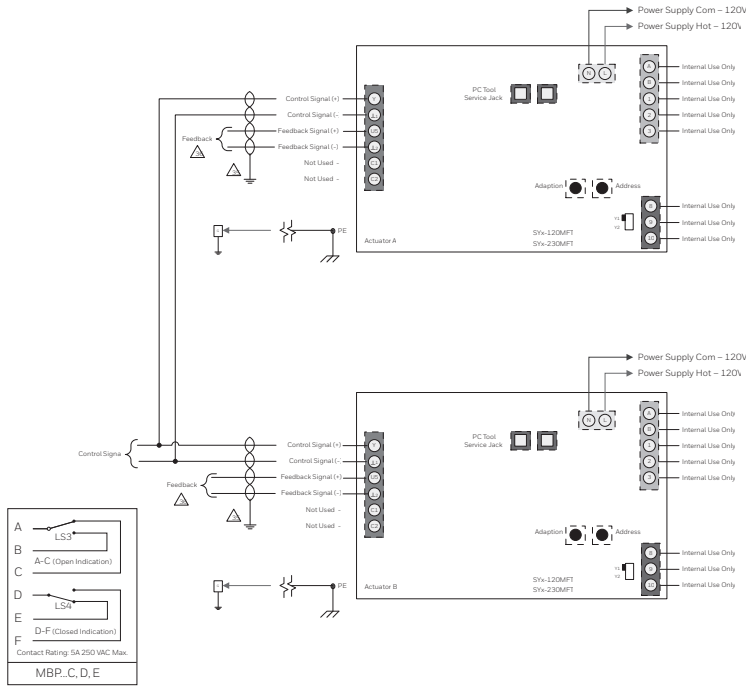


Fig. 25. Wiring for MBP6...D,E,F,G.

VH2, VH3, VH4, VH5, VH6, VH7, VH8 ANSI 150 CLASS HIGH PERFORMANCE BUTTERFLY VALVES

Proportional, Multiple Wiring, 120V
MBP...C, D, E



Each actuator should be powered by a single, isolated control transformer.

INSTALLATION NOTES

- Observe class 1 and class 2 wiring restrictions.
- Transformer sizing = MBP actuator draw X 1.25 (safety margin)

Fig. 26. Wiring for MBP7...D,E,F,G.

By using this Honeywell literature, you agree that Honeywell will have no liability for any damages arising out of your use or modification to, the literature. You will defend and indemnify Honeywell, its affiliates and subsidiaries, from and against any liability, cost, or damages, including attorneys' fees, arising out of, or resulting from, any modification to the literature by you.

Honeywell Building Technologies

In the U.S.:
Honeywell
715 Peachtree Street NE
Atlanta, GA 30308
customer.honeywell.com



® U.S. Registered Trademark
© 2019 Honeywell International Inc.
31-00191EF-02 M.S. Rev. 07-19
Printed in United States

Vannes papillon haute performance VH2 VH3, VH4, VH5, VH6, VH7, VH8 ANSI de classe 150

DONNÉES SUR LE PRODUIT



CARACTÉRISTIQUES

Tous les modèles

- ANSI classe 150
- Disques en acier inoxydable 316
- Corps de vanne en acier ordinaire
- Tige de vanne en acier inoxydable
- Siège de vanne en RTFE
- Aucune fuite au taux nominal de fermeture
- Vitesse maximale de 32 pi/s
- Taux nominal de fermeture de 150 lb/po² pour tous les diamètres
- Bride de fixation d'actionneur ISO 5211
- Disponible avec interfaces d'actionneur électrique installées en usine à deux positions : commande flottante (trois états) ou à modulation (2-10 V c.c.)
- Contournement manuel sur tous les modèles
- Pour eau chaude, refroidie ou de condensation avec un maximum de 60 % de glycol; commande de vapeur à

deux états (tout ou rien) jusqu'à 50 lb/po² dans les systèmes de CVC

Vannes à 2 voies (VH2)

- Tailles de 2 à 24 po avec raccords à oreilles ANSI de classe 125/150
- Caractéristiques de débit à pourcentages égaux modifiés
- Système de sécurité à ressort sur les modèles de 2 et 4 po et système électronique en option sur les modèles de 5 et 6 po.
- Actionneurs NEMA 2 disponibles sur les vannes de 2 à 4 po; actionneurs NEMA 4 X disponibles sur les vannes de 5 à 24 po

Ensembles de vannes à trois voies (VH3, 4, 5, 6, 7, 8)

- Tailles de 2 à 16 po avec raccords à oreilles ANSI de classe 125/150.
- Commande de mélange (VH3,4,5) ou de dérivation (VH6,7,8).
- Caractéristique de débit linéaire modifié.
- Raccord en T standard en fonte compris.
- Nombreuses configurations de ports convenant à différentes applications.
- Dispositif de sécurité électronique disponible sur les modèles de 2 à 3 po
- Actionneurs NEMA 2 disponibles sur les vannes de 3 po et moins; actionneurs NEMA 4 X disponibles sur les vannes de 4 po à 16 po

Table des matières

CARACTÉRISTIQUES	1
SPÉCIFICATIONS	2
PLANS DIMENSIONNELS	5
SPÉCIFICATIONS DE L'ACTIONNEUR	13
CONFIGURATIONS DE VANNES À 3 VOIES	16
INSTALLATION	18
INSTALLATION ÉLECTRIQUE	22

SPÉCIFICATIONS

REMARQUE : Toutes les spécifications étaient précises au moment de la publication. Honeywell réserve le droit d'améliorer ou d'abandonner des produits sans préavis. Pour obtenir la documentation technique la plus récente, veuillez consulter le site Web <http://customer.honeywell.com>.

Modèles : Voir le Tableau 1

Dimensions : Voir les figures 1 à 8

Montage : ASME/ANSI, classe 150

Types de corps :

Vannes papillon haute performance à deux ou trois voies
ANSI de classe 150

Dimensions du corps :

Vannes à 2 voies : 2 à 24 po

Vannes à 3 voies : 2 à 16 po

Caractéristiques de débit :

Vannes à 2 voies : Pourcentage égal modifié,
unidirectionnel

Vannes à 3 voies : Débit linéaire modifié, unidirectionnel

Pression statique nominale du corps (maximum) :

285 lb/po² à 100 °F (1965 kPa à 38 °C)

Pression nominale de fermeture (différentiel maximum) :

150 lb/po²

Liquides contrôlés : Eau chaude ou refroidie contenant jusqu'à 60 % de glycol; vapeur jusqu'à 50 lb/po²

Plage de température des liquides : -30 à 204 °C
(-22 à 400 °F)

Vitesse maximale : 9,8 m/s (32 pi/s)

Matériaux :

Corps : Acier ordinaire à oreilles pleines

Disque : Acier inoxydable 316

Tige : Acier inoxydable 17-4 PH

Siège : RTFE

Presse-garniture : TFE

Roulements : PTFE renforcé à la fibre de verre

Approbations et normes :

Fermeture : Aucune fuite jusqu'au taux nominal de fermeture.

Les actionneurs sur les vannes à 2 voies de 6 po et moins et sur les vannes à 3 voies de 5 po et moins : cULus, CE

Actionneurs sur les vannes à 2 voies de 8 po et plus et sur les vannes à 3 voies de 5 po et plus : cCSAus, CE

Caractéristiques nominales d'actionneur :

Voir le Tableau 6

Accessoires :

MB-NSR-SWITCH : Interrupteur auxiliaire NSR DCA

MB-NSR-N4HEAT : Trousse de chauffage NSR NEMA4

DCA (doit être commandée avec la vanne, installée à l'usine)

MB-SR-N4HEAT : Trousse de chauffage SR NEMA4 DCA

(doit être commandée avec la vanne, installée à l'usine)

Tableau 1. Sélection de modèle de vanne papillon.

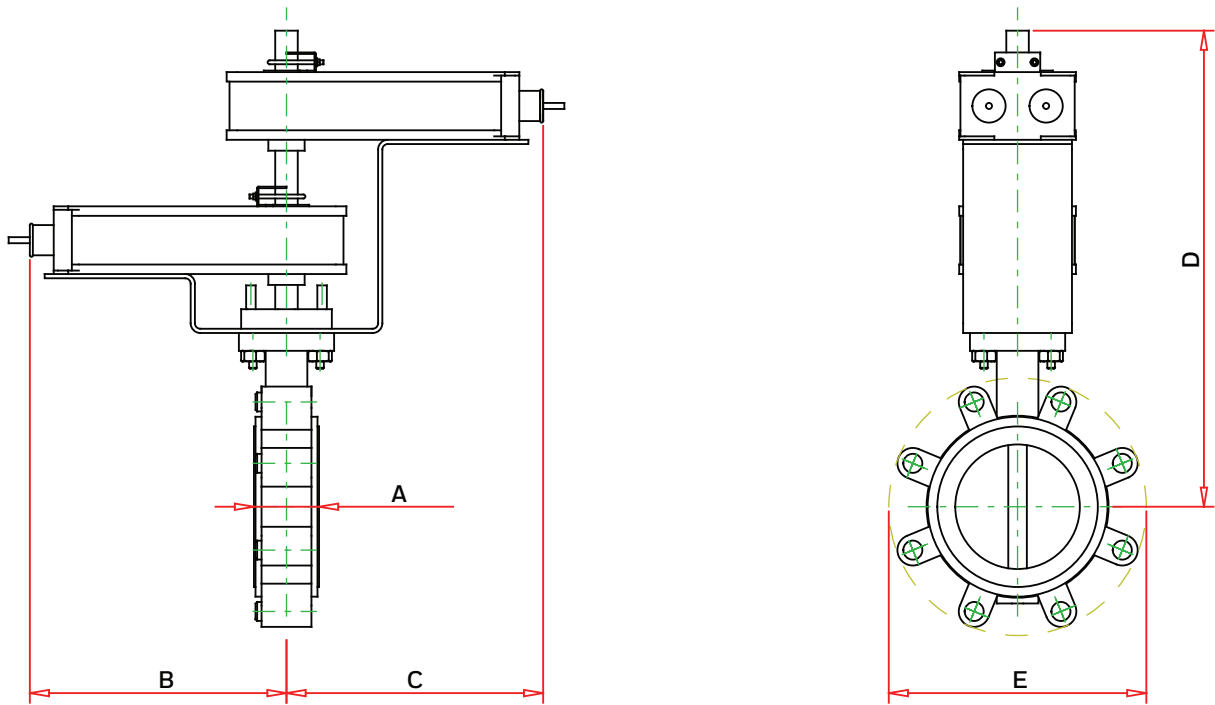
Vanne papillon	Type de raccordement	Motif de corps	Diamètre de vanne	Signal de commande de l'actionneur	Tension d'actionneur	Fonction de sécurité	Tension/rétroaction du contacteur	Caractéristiques nominales NEMA	Description
V	Vanne, à oreilles (papillon)								
	H	Haute Performance ANSI 150							
	2	2 voies							
	3								
	4	Configurations de robinets de mélange à 3 voies (voir la Fig. 9)							
	5								
	6								
	7	Configurations de robinets de dérivation à 3 voies (voir la Fig. 9)							
	8								
	F	2 po (DN 50)							
	G	2,5 po (DN 65)							
	H	3 po (DN 80)							
	J	4 po (DN 100)							
	K	5 po (DN 125)							
	L	6 po (DN 150)							
	M	8 po (DN 200)							
	N	10 po (DN 250)							
	P	12 po (DN 300)							
	R	14 po (DN 350)							
	S	16 po (DN 400)							
	T	18 po (DN 450) à 2 voies seulement							
	U	20 po (DN 500) à 2 voies seulement							
	V	24 po (DN 600) à 2 voies seulement							
	6	Flottant/deux positions (SPDT)							
	7	À modulation analogique (0) 2-10 V c.c.							
	8	Deux positions (SPST)							
	L	24 V c.a./V c.c.							
	H	120 V c.a.							
	U	24-240 V c.a./24-125 V c.c.							
	P	Maintien de position en cas de panne							
	S	Ressort de rappel au port A (maître) à sécurité intrinsèque en position ouverte							
	T	Ressort de rappel au port A (maître) à sécurité intrinsèque en position fermée							
	E	Dispositif de sécurité électronique (position fermée par défaut, modifiable sur place)							
	N	Aucune rétroaction							
	F	Rétroaction analogique							
	S	Interrupteurs auxiliaires intégrés							
	B	Rétroaction analogique et interrupteurs auxiliaires							
	2	NEMA 2							
	4	NEMA 4X							
	H	NEMA 4X (avec réchauffeur)							
V	H	2	H	7	L	P	F	2	EXEMPLE : VANNE PAPILLON HAUTE PERFORMANCE 2 VOIES, 3 PO ,ANSI DE CLASSE 150, CV228, FERMETURE 285 LB/PO², 24 V C.A., 2-10 V C.C., 150 S, MAINTIEN EN CAS DE PANNE, RÉTROACTION, NEMA2, (COMPREND L'ACTIONNEUR MBP7L4F2/U)

Tableau 2. Sélection de modèle d'actionneur de remplacement de vanne papillon.

Type	À sécurité intrinsèque	Régulation	Alimentation	Type d'actionneur	Rétroaction	Nema	Description
MB							Moteur de vanne papillon
	S						Système de sécurité à ressort
	E						Système de sécurité électronique
	P						Maintien de position en cas de panne
		6					À flotteur/deux positions (SPDT)
		7					À modulation analogique (0) 2-10 V c.c.
		8					Deux positions (SPST)
			L				24 V c.a./c.c.
			U				24-240 V c.a./24-125 V c.c.
			H				120 V c.a.
				1			SR 180 lb-po
				2			NSR 180 lb-po
				3			SR 180 lb-po
				A			NSR 180 lb-po
				4			EFS/FIP 360 lb-po (VR à 2 voies)
				R			EFS/FIP 360 lb-po (VH et VR à 3 voies)
				5			EFS/FIP 800 lb-po
				6			EFS/FIP 1400 lb-po
				7			EFS/FIP 1400 lb-po
				8			EFS/FIP 1400 lb-po
				9			FIP 3540 lb-po
				B			FIP 4425 lb-po
				C			FIP 5755 lb-po
				D			FIP 8850 lb-po
				E			FIP 13275 lb-po
				F			FIP 17700 lb-po
				G			FIP 22125 lb-po
				H			FIP 26550 lb-po
					N		Aucune rétroaction
					F		Rétroaction analogique
					S		Interrupteurs auxiliaires intégrés
					B		Rétroaction analogique et interrupteurs auxiliaires
					2		NEMA 2
					4		NEMA 4X
					H		NEMA 4X (avec réchauffeur)
MB	S	8	U	1	N	2	EXEMPLE : ACTIONNEUR DE VANNE PAPILLON POUR SÉRIES VR ET VH, RESSORT DE RETOUR, 2 POSITIONS, 24-240 V C.A., 180 LB-PO, NEMA2.

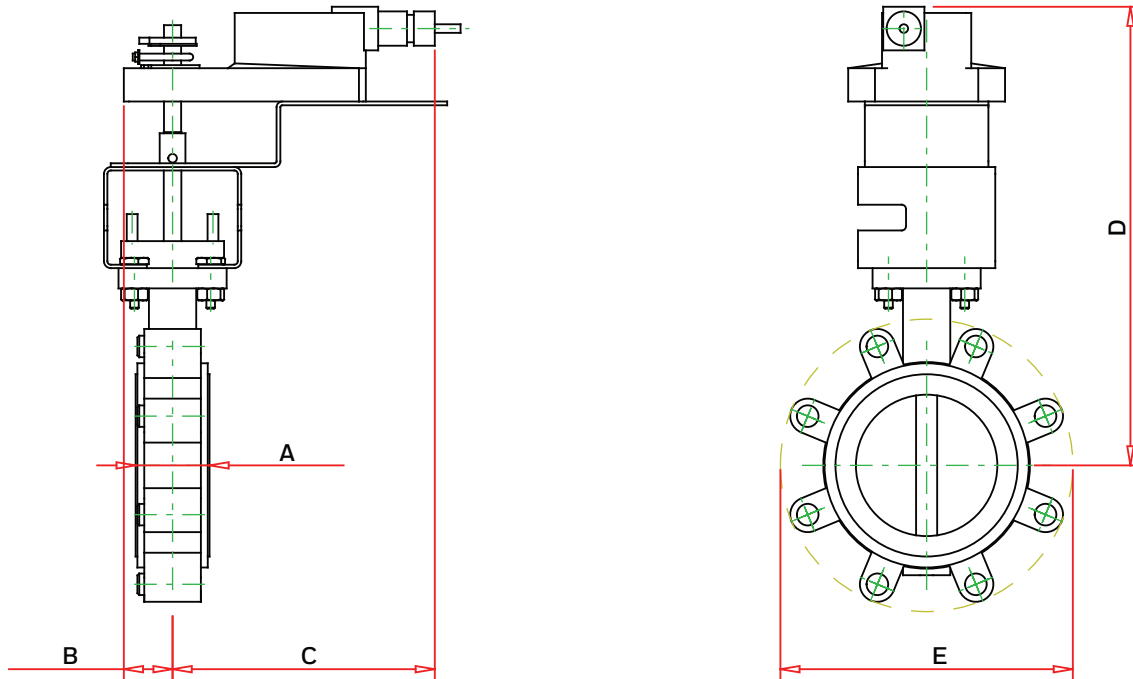
REMARQUE : Les tableaux ci-dessus sont destinés à expliquer la signification du système de numérotation de la vanne papillon et de l'actionneur. Il ne s'agit pas d'un outil de configuration du produit. Seuls les numéros de pièce compris dans les catalogues de prix Honeywell peuvent être commandés. Veuillez vous reporter au cpq.honeywell.com pour connaître les configurations disponibles.

PLANS DIMENSIONNELS



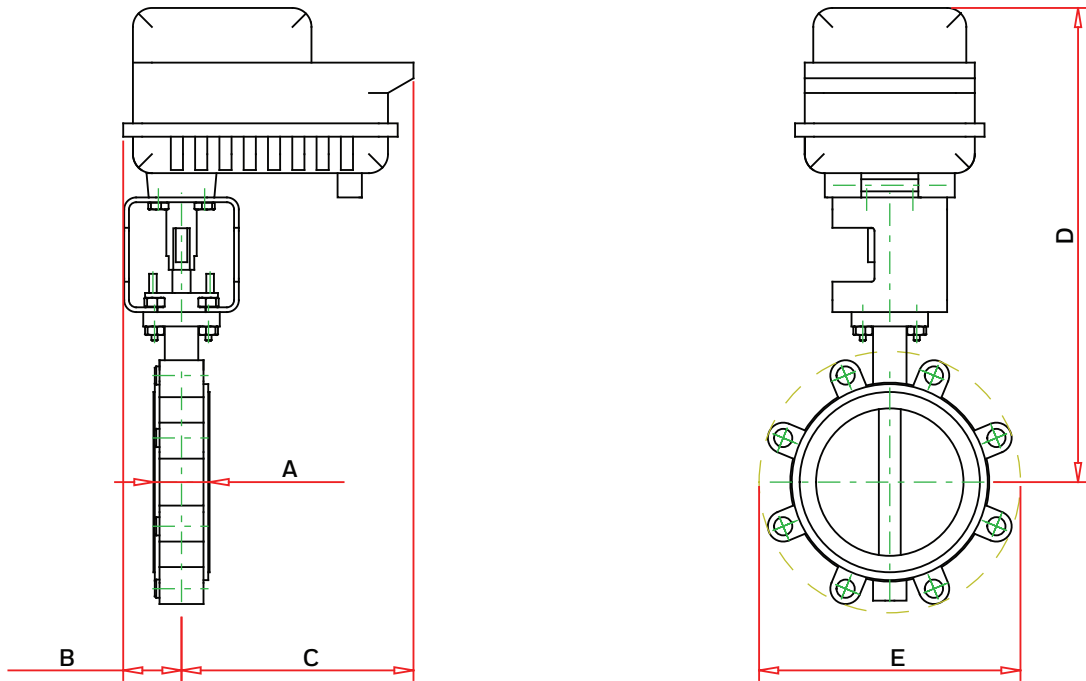
Diam.		Dimensions, mm (po)				
po	DN	A	B	C	D	E
2	50	45,0 (1,77)	215,6 (8,49)	215,6 (8,49)	362,0 (14,25)	146,6 (5,77)
2,5	65	48,3 (1,90)	215,6 (8,49)	215,6 (8,49)	362,0 (14,25)	165,6 (6,52)
3	80	48,3 (1,90)	215,6 (8,49)	215,6 (8,49)	380,7 (14,99)	178,3 (7,02)
4	100	54,6 (2,15)	215,6 (8,49)	215,6 (8,49)	400,1 (15,75)	216,4 (8,52)

Fig. 1. Vannes à 2 voies avec actionneurs MBP...R.



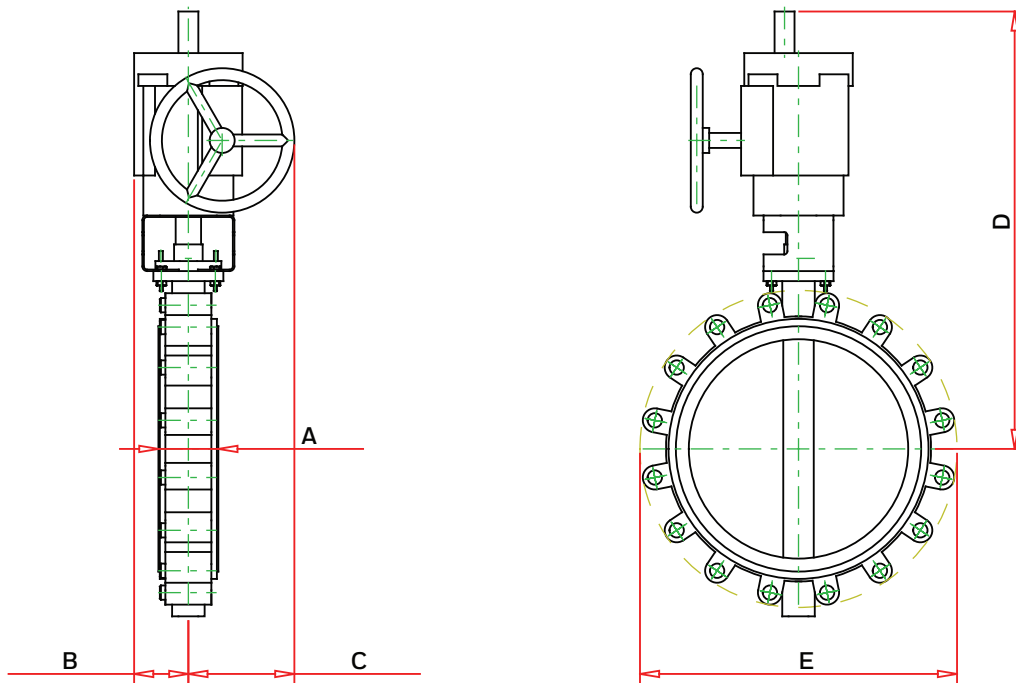
Diam.		Dimensions, mm (po)				
po	DN	A	B	C	D	E
2	50	45,0 (1,77)	36,1 (1,42)	194,1 (7,64)	233,9 (9,21)	146,6 (5,77)
2,5	65	48,3 (1,90)	36,1 (1,42)	194,1 (7,64)	233,9 (9,21)	165,6 (6,52)
3	80	1,90 (48,3)	36,1 (1,42)	194,1 (7,64)	252,7 (9,95)	178,3 (7,02)
4	100	54,6 (2,15)	36,1 (1,42)	194,1 (7,64)	339,3 (13,36)	216,4 (8,52)

Fig. 2. Vannes à 2 voies avec actionneurs tandem MBS...1.



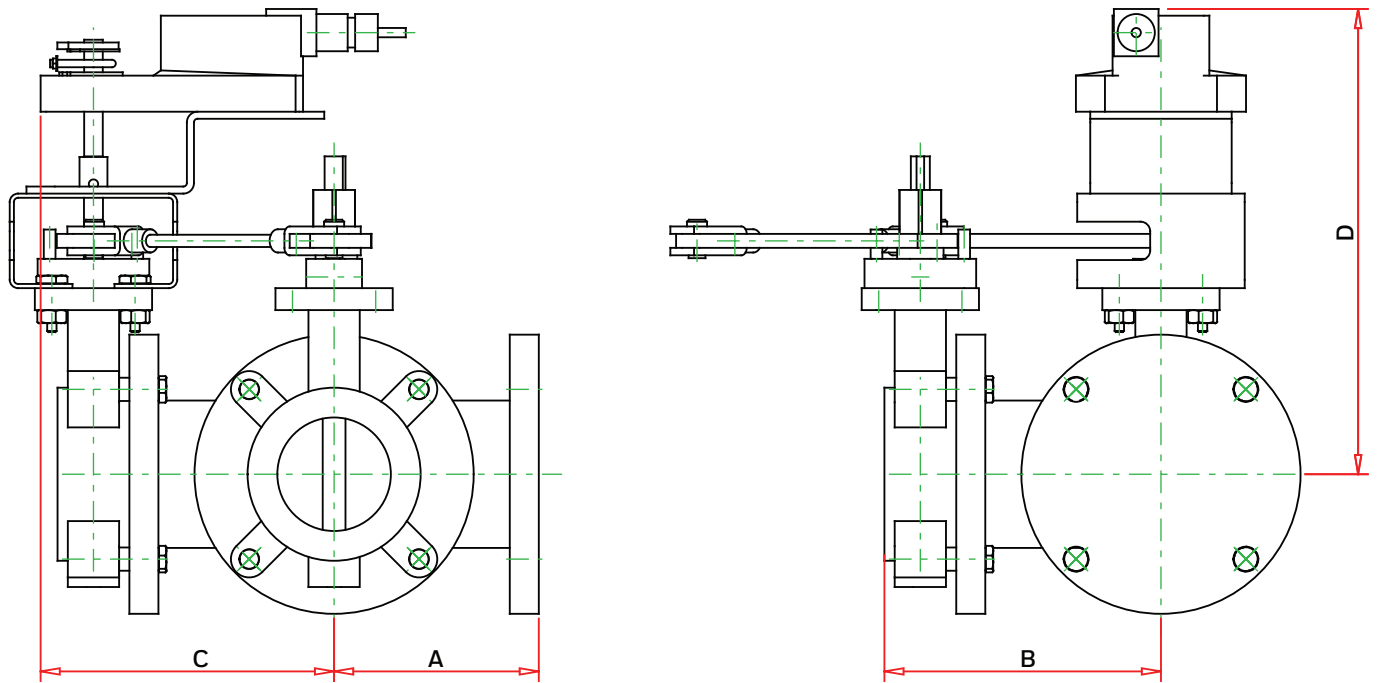
Diam.		Dimensions, mm (po)				
po	DN	A	B	C	D	E
5	125	58,7 (2,31)	61,0 (2,40)	242,6 (9,55)	482,1 (18,98)	247,9 (9,76)
6	150	58,7 (2,31)	61,0 (2,40)	242,6 (9,55)	495,8 (19,52)	273,3 (10,76)

Fig. 3. Vannes à 2 voies avec actionneurs MBE...6.



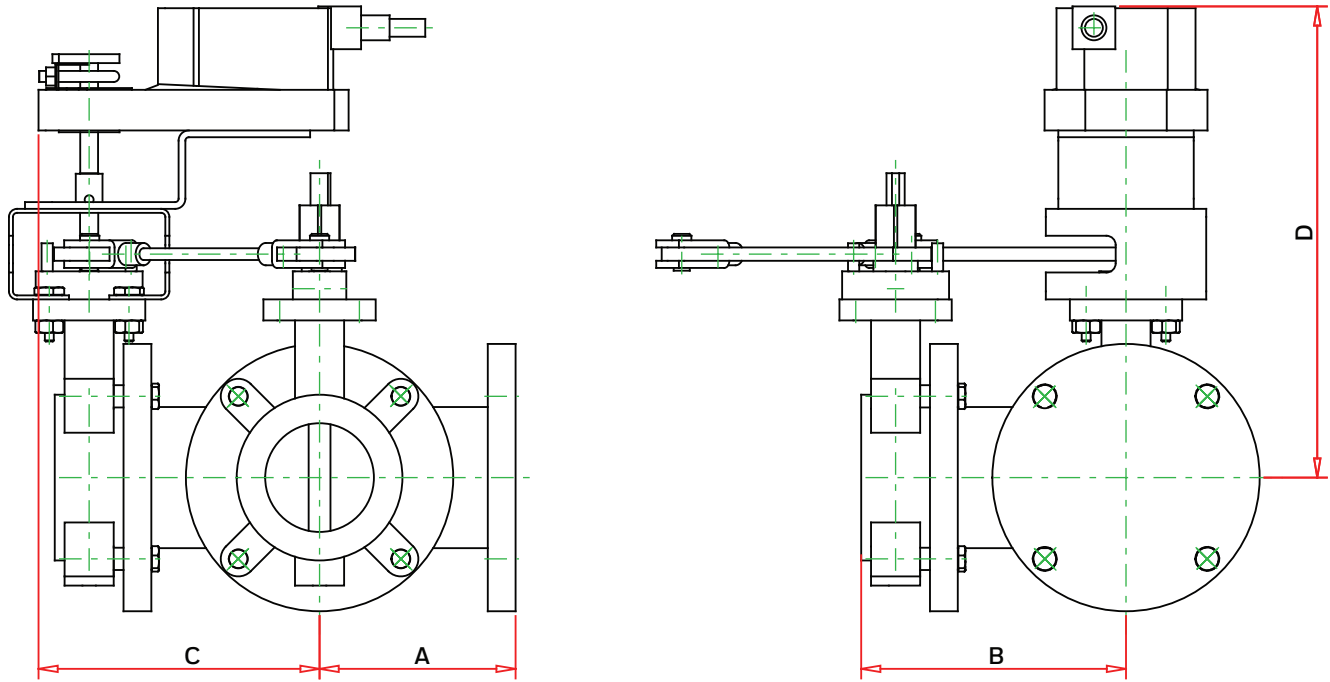
Diam.		Dimensions, mm (po)				
po	DN	A	B	C	D	E
8	200	63,0 (2,48)	4111,8 (4,40)	181,1 (7,13)	587,8 (23,14)	334,5 (13,17)
10	250	71,4 (2,81)	111,8 (4,40)	181,1 (7,13)	606,8 (23,89)	403,6 (15,89)
12	300	81,8 (3,22)	111,8 (4,40)	181,1 (7,13)	698,2 (27,49)	472,9 (18,62)
14	350	81,8 (3,22)	111,8 (4,40)	181,1 (7,13)	713,7 (28,10)	527,1 (20,75)
16	400	107,2 (4,22)	108,5 (4,27)	212,1 (8,35)	841,5 (33,13)	581,4 (22,89)
18	450	119,6 (4,71)	108,5 (4,27)	212,1 (8,35)	874,8 (34,4)	634,0 (24,96)
20	500	133,4 (5,25)	218,2 (8,59)	182,9 (7,20)	1049,5 (41,32)	683,0 (26,89)
24	600	161,5 (6,36)	218,2 (8,59)	182,9 (7,20)	1103,4 (43,44)	794,5 (31,28)

Fig. 4. Vannes à 2 voies avec actionneurs MBP...9, B, D, F, G.



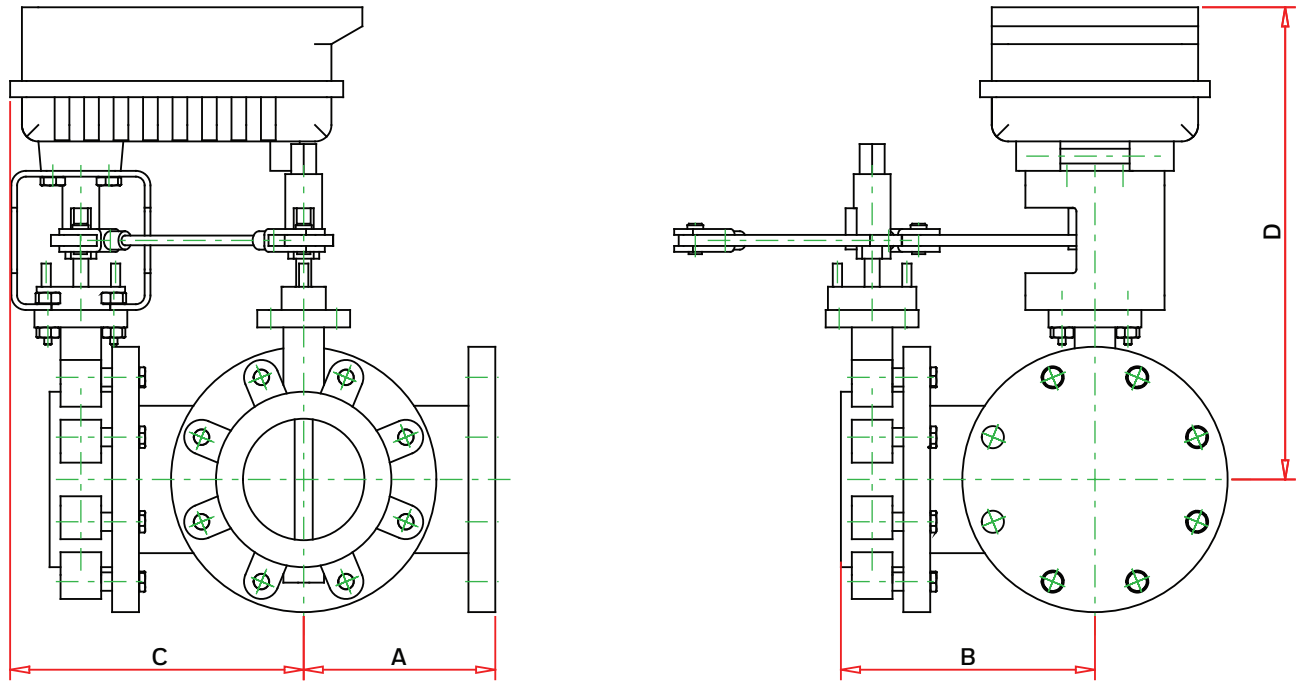
Diam.		Dimensions, mm (po)			
po	DN	A	B	C	D
2	50	114,3 (4,50)	158,2 (6,23)	172,2 (6,78)	298,5 (11,75)
2,5	65	127,0 (5,00)	175,0 (6,89)	187,2 (7,37)	362,0 (14,25)
3	80	139,7 (5,50)	188,7 (7,43)	200,2 (7,88)	317,5 (12,50)

Fig. 5. Vannes à 3 voies avec actionneurs MBP...R.



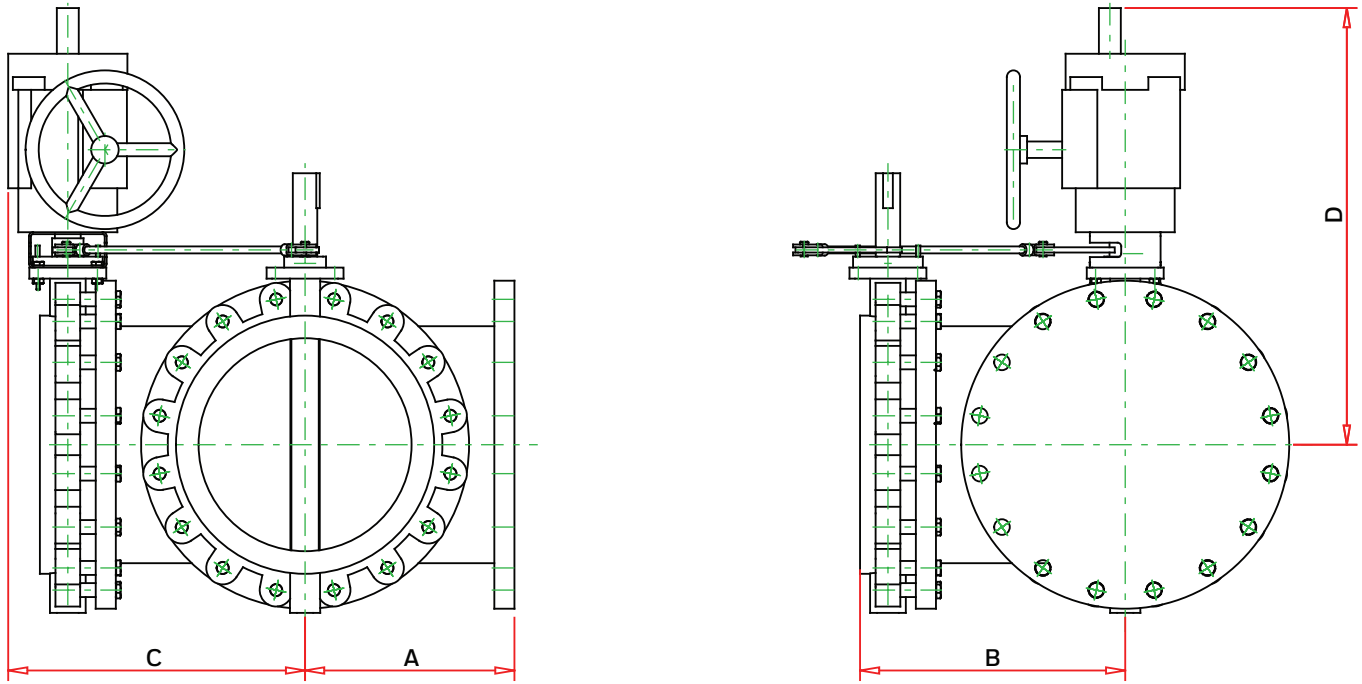
Diam.		Dimensions, mm (po)			
po	DN	A	B	C	D
2	50	114,3 (4,50)	158,2 (6,23)	172,5 (6,79)	316,7 (12,47)
2,5	65	127,0 (5,00)	175,0 (6,89)	186,9 (7,36)	244,9 (9,64)
3	80	139,7 (5,50)	188,7 (7,43)	200,4 (7,89)	335,8 (13,22)

Fig. 6. Vannes à 3 voies avec actionneurs MBE...R.



Diam.		Dimensions, mm (po)			
po	DN	A	B	C	D
4	100	165,1 (6,50)	218,9 (8,62)	253,0 (9,96)	406,9 (16,02)

Fig. 7. Vannes à 3 voies avec actionneurs MBP...6.



Diam.		Dimensions, mm (po)			
po	DN	A	B	C	D
5	125	7,50 (191)	10,00 (254)	13,50 (343)	21,00 (533)
6	150	203 (8,00)	262 (10,30)	343 (13,50)	594 (23,40)
8	200	228,6 (9,00)	292,1 (11,50)	372,1 (14,65)	587,8 (23,14)
10	250	279,4 (11,00)	350,8 (13,81)	426,7 (16,80)	607,1 (23,90)
12	300	304,8 (12,00)	386,6 (15,22)	457,5 (18,01)	651,5 (25,65)
14	350	355,6 (14,00)	447,5 (17,62)	510,0 (20,08)	757,9 (29,84)
16	400	381,0 (15,00)	482,6 (19,00)	540,3 (21,27)	794,8 (31,29)

Fig. 8. Vannes à 3 voies avec actionneurs MBP...9, B, D, E.

SPÉCIFICATIONS DE L'ACTIONNEUR

Tableau 3. Actionneurs utilisés sur les ensembles à 2 voies

Montage	Actionneur	Montage	Actionneur	Montage	Actionneur
VH2F6LPN2/M	MBP6LRN2/U	VH2H7LTF2/M	MBS7L1F2/U	VH2N6LPSH/M	MBP6L9SH/U
VH2F7LPF2/M	MBP7LRF2/U	VH2H8LSN2/M	MBS8L1N2/U	VH2N7LPBH/M	MBP7L9SH/U
VH2F7LSF2/M	MBS7L1F2/U	VH2H8LTN2/M	MBS8L1N2/U	VH2P6LPSH/M	MBP6L9SH/U
VH2F7LTF2/M	MBS7L1F2/U	VH2J6LPN2/M	MBP6LRN2/U	VH2P7LPBH/M	MBP7L9SH/U
VH2F8LSN2/M	MBS8L1N2/U	VH2J7LPF2/M	MBP7LRF2/U	VH2R6LPSH/M	MBP6LBSH/U
VH2F8LTN2/M	MBS8L1N2/U	VH2J7LSF2/M	MBS7L1F2/U	VH2R7LPBH/M	MBP7LBBH/U
VH2G6LPN2/M	MBP6LRN2/U	VH2J7LTF2/M	MBS7L1F2/U	VH2S6HPSH/M	MBP6HDSH/U
VH2G7LPF2/M	MBP7LRF2/U	VH2J8LSN2/M	MBS8L1N2/U	VH2S7HPBH/M	MBP7HDBH/U
VH2G7LSF2/M	MBS7L1F2/U	VH2J8LTN2/M	MBS8L1N2/U	VH2T6HPSH/M	MBP6HDSH/U
VH2G7LTF2/M	MBS7L1F2/U	VH2K6UESH/M	MBE6U6SH/U	VH2T7HPBH/M	MBP7HDBH/U
VH2G8LSN2/M	MBS8L1N2/U	VH2K7UEBH/M	MBE7U6BH/U	VH2U6HPSH/M	MBP6HFSH/U
VH2G8LTN2/M	MBS8L1N2/U	VH2L6UESH/M	MBE6U6SH/U	VH2U7HPBH/M	MBP7HFBH/U
VH2H6LPN2/M	MBP6LRN2/U	VH2L7UEBH/M	MBE7U6BH/U	VH2V6HPSH/M	MBP6HGSH/U
VH2H7LPF2/M	MBP7LRF2/U	VH2M6LPSH/M	MBP6L9SH/U	VH2V7HPBH/M	MBP7HGBH/U
VH2H7LSF2/M	MBS7L1F2/U	VH2M7LPBH/M	MBP7L9SH/U		

Tableau 4. Actionneurs utilisés sur les ensembles de mélange à 3 voies.

Montage	Actionneur	Montage	Actionneur	Montage	Actionneur
VH3F6LPN2/M	MBP6LRN2/U	VH4F6LPN2/M	MBP6LRN2/U	VH5F6LPN2/M	MBP6LRN2/U
VH3F7LEF2/M	MBE7LRF2/U	VH4F7LEF2/M	MBE7LRF2/U	VH5F7LEF2/M	MBE7LRF2/U
VH3F7LPF2/M	MBP7LRF2/U	VH4F7LPF2/M	MBP7LRF2/U	VH5F7LPF2/M	MBP7LRF2/U
VH3F8LEN2/M	MBE6LRN2/U	VH4F8LEN2/M	MBE6LRN2/U	VH5F8LEN2/M	MBE6LRN2/U
VH3G6LPN2/M	MBP6LRN2/U	VH4G6LPN2/M	MBP6LRN2/U	VH5G6LPN2/M	MBP6LRN2/U
VH3G7LEF2/M	MBE7LRF2/U	VH4G7LEF2/M	MBE7LRF2/U	VH5G7LEF2/M	MBE7LRF2/U
VH3G7LPF2/M	MBP7LRF2/U	VH4G7LPF2/M	MBP7LRF2/U	VH5G7LPF2/M	MBP7LRF2/U
VH3G8LEN2/M	MBE6LRN2/U	VH4G8LEN2/M	MBE6LRN2/U	VH5G8LEN2/M	MBE6LRN2/U
VH3H6LPN2/M	MBP6LRN2/U	VH4H6LPN2/M	MBP6LRN2/U	VH5H6LPN2/M	MBP6LRN2/U
VH3H7LEF2/M	MBE7LRF2/U	VH4H7LEF2/M	MBE7LRF2/U	VH5H7LEF2/M	MBE7LRF2/U
VH3H7LPF2/M	MBP7LRF2/U	VH4H7LPF2/M	MBP7LRF2/U	VH5H7LPF2/M	MBP7LRF2/U
VH3H8LEN2/M	MBE6LRN2/U	VH4H8LEN2/M	MBE6LRN2/U	VH5H8LEN2/M	MBE6LRN2/U
VH3J6UPSH/M	MBP6U6SH/U	VH4J6UPSH/M	MBP6U6SH/U	VH5J6UPSH/M	MBP6U6SH/U
VH3J7UPBH/M	MBP7U6BH/U	VH4J7UPBH/M	MBP7U6BH/U	VH5J7UPBH/M	MBP7U6BH/U
VH3K6UPSH/M	MBP6L9SH/U	VH4K6UPSH/M	MBP6L9SH/U	VH5K6UPSH/M	MBP6L9SH/U
VH3K7UPBH/M	MBP7L9SH/U	VH4K7UPBH/M	MBP7L9SH/U	VH5K7UPBH/M	MBP7L9SH/U
VH3L6LPSH/M	MBP6L9SH/U	VH4L6LPSH/M	MBP6L9SH/U	VH5L6LPSH/M	MBP6L9SH/U
VH3L7LPBH/M	MBP7L9SH/U	VH4L7LPBH/M	MBP7L9SH/U	VH5L7LPBH/M	MBP7L9SH/U
VH3M6LPSH/M	MBP6L9SH/U	VH4M6LPSH/M	MBP6L9SH/U	VH5M6LPSH/M	MBP6L9SH/U
VH3M7LPBH/M	MBP7L9SH/U	VH4M7LPBH/M	MBP7L9SH/U	VH5M7LPBH/M	MBP7L9SH/U
VH3N6LPSH/M	MBP6L9SH/U	VH4N6LPSH/M	MBP6L9SH/U	VH5N6LPSH/M	MBP6L9SH/U
VH3N7LPBH/M	MBP7L9SH/U	VH4N7LPBH/M	MBP7L9SH/U	VH5N7LPBH/M	MBP7L9SH/U
VH3P6LPSH/M	MBP6LBSH/U	VH4P6LPSH/M	MBP6LBSH/U	VH5P6LPSH/M	MBP6LBSH/U
VH3P7LPBH/M	MBP7LBBH/U	VH4P7LPBH/M	MBP7LBBH/U	VH5P7LPBH/M	MBP7LBBH/U
VH3R6HPSH/M	MBP6HDSH/U	VH4R6HPSH/M	MBP6HDSH/U	VH5R6HPSH/M	MBP6HDSH/U
VH3R7HPBH/M	MBP7HDBH/U	VH4R7HPBH/M	MBP7HDBH/U	VH5R7HPBH/M	MBP7HDBH/U
VH3S6HPSH/M	MBP6HDSH/U	VH4S6HPSH/M	MBP6HDSH/U	VH5S6HPSH/M	MBP6HDSH/U
VH3S7HPBH/M	MBP7HDBH/U	VH4S7HPBH/M	MBP7HDBH/U	VH5S7HPBH/M	MBP7HDBH/U

Tableau 5. Actionneurs utilisés sur les ensembles de dérivation à 3 voies.

Montage	Actionneur	Montage	Actionneur	Montage	Actionneur
VH6F6LPN2/M	MBP6LRN2/U	VH7F6LPN2/M	MBP6LRN2/U	VH8F6LPN2/M	MBP6LRN2/U
VH6F7LEF2/M	MBE7LRF2/U	VH7F7LEF2/M	MBE7LRF2/U	VH8F7LEF2/M	MBE7LRF2/U
VH6F7LPF2/M	MBP7LRF2/U	VH7F7LPF2/M	MBP7LRF2/U	VH8F7LPF2/M	MBP7LRF2/U
VH6F8LEN2/M	MBE6LRN2/U	VH7F8LEN2/M	MBE6LRN2/U	VH8F8LEN2/M	MBE6LRN2/U
VH6G6LPN2/M	MBP6LRN2/U	VH7G6LPN2/M	MBP6LRN2/U	VH8G6LPN2/M	MBP6LRN2/U
VH6G7LEF2/M	MBE7LRF2/U	VH7G7LEF2/M	MBE7LRF2/U	VH8G7LEF2/M	MBE7LRF2/U
VH6G7LPF2/M	MBP7LRF2/U	VH7G7LPF2/M	MBP7LRF2/U	VH8G7LPF2/M	MBP7LRF2/U
VH6G8LEN2/M	MBE6LRN2/U	VH7G8LEN2/M	MBE6LRN2/U	VH8G8LEN2/M	MBE6LRN2/U
VH6H6LPN2/M	MBP6LRN2/U	VH7H6LPN2/M	MBP6LRN2/U	VH8H6LPN2/M	MBP6LRN2/U
VH6H7LEF2/M	MBE7LRF2/U	VH7H7LEF2/M	MBE7LRF2/U	VH8H7LEF2/M	MBE7LRF2/U
VH6H7LPF2/M	MBP7LRF2/U	VH7H7LPF2/M	MBP7LRF2/U	VH8H7LPF2/M	MBP7LRF2/U
VH6H8LEN2/M	MBE6LRN2/U	VH7H8LEN2/M	MBE6LRN2/U	VH8H8LEN2/M	MBE6LRN2/U
VH6J6UPSH/M	MBP6U6SH/U	VH7J6UPSH/M	MBP6U6SH/U	VH8J6UPSH/M	MBP6U6SH/U
VH6J7UPBH/M	MBP7U6BH/U	VH7J7UPBH/M	MBP7U6BH/U	VH8J7UPBH/M	MBP7U6BH/U
VH6K6UPSH/M	MBP6L9SH/U	VH7K6UPSH/M	MBP6L9SH/U	VH8K6UPSH/M	MBP6L9SH/U
VH6K7UPBH/M	MBP7L9SH/U	VH7K7UPBH/M	MBP7L9SH/U	VH8K7UPBH/M	MBP7L9SH/U
VH6L6LPSH/M	MBP6L9SH/U	VH7L6LPSH/M	MBP6L9SH/U	VH8L6LPSH/M	MBP6L9SH/U
VH6L7LPBH/M	MBP7L9SH/U	VH7L7LPBH/M	MBP7L9SH/U	VH8L7LPBH/M	MBP7L9SH/U
VH6M6LPSH/M	MBP6L9SH/U	VH7M6LPSH/M	MBP6L9SH/U	VH8M6LPSH/M	MBP6L9SH/U
VH6M7LPBH/M	MBP7L9SH/U	VH7M7LPBH/M	MBP7L9SH/U	VH8M7LPBH/M	MBP7L9SH/U
VH6N6LPSH/M	MBP6L9SH/U	VH7N6LPSH/M	MBP6L9SH/U	VH8N6LPSH/M	MBP6L9SH/U
VH6N7LPBH/M	MBP7L9SH/U	VH7N7LPBH/M	MBP7L9SH/U	VH8N7LPBH/M	MBP7L9SH/U
VH6P6LPSH/M	MBP6LBSH/U	VH7P6LPSH/M	MBP6LBSH/U	VH8P6LPSH/M	MBP6LBSH/U
VH6P7LPBH/M	MBP7LBBH/U	VH7P7LPBH/M	MBP7LBBH/U	VH8P7LPBH/M	MBP7LBBH/U
VH6R6HPSH/M	MBP6HDSH/U	VH7R6HPSH/M	MBP6HDSH/U	VH8R6HPSH/M	MBP6HDSH/U
VH6R7HPBH/M	MBP7HDBH/U	VH7R7HPBH/M	MBP7HDBH/U	VH8R7HPBH/M	MBP7HDBH/U
VH6S6HPSH/M	MBP6HDSH/U	VH7S6HPSH/M	MBP6HDSH/U	VH8S6HPSH/M	MBP6HDSH/U
VH6S7HPBH/M	MBP7HDBH/U	VH7S7HPBH/M	MBP7HDBH/U	VH8S7HPBH/M	MBP7HDBH/U

Tableau 6. Données de spécification de l'actionneur.

Modèle de l'actionneur	Couple	Entrées de commande	À sécurité intrinsèque (Temporisation)	Tension d'alimentation	Calibrage du transformateur	Température ambiante	Temporisation	Boîtier	Interrupteur auxiliaire	Schéma de câblage
MBS8L1N2/U	180 lb-po (20 Nm)	2 positions	Système de sécurité à ressort (< 20 s)	24 V c.a., ±20 %, 50/60 Hz; 24 V c.c., -10 %/+20 %	10 VA (classe 2)	-30 à 50 °C (-22 à 122 °F)	150 s	IP-54, NEMA 2		Fig. 15
MBS7L1F2/U		Modulation								Fig. 17
MBP6LRN2/U	360 lb-po (40 Nm)	2 positions; flottant	Maintien de position en cas de panne	24 V c.a., ±20 %, 50/60 Hz; 24 V c.c., ±10 %	6 VA (classe 2)	-30 à 50 °C (-22 à 122 °F)	150 s	IP-54, NEMA 2		Fig. 15
MBP7LRF2/U		Modulation			7 VA (classe 2)					Fig. 17
MBE6LRN2/U	360 lb-po (40 Nm)	2 positions; flottant	Système de sécurité électronique (35 s)	24 V c.a., ±20 %, 50/60 Hz; 24 V c.c., ±10 %	21 VA (classe 2)	-30 à 50 °C (-22 à 122 °F)	150 s	IP-54, NEMA 2		Fig. 18
MBE7LRF2/U		Modulation								Fig. 19
MBP6U6SH/U	1400 lb-po (160 Nm)	2 positions; flottant	Maintien de position en cas de panne	24... 240 V c.a., -20 %/+10 %, 50/60 Hz; 24... 125 V c.c., -20 %/+10 %	20 VA à 24 V c.a./c.c. (classe 2); 23 VA à 120 V c.a./c.c.; 52 VA à 230 V c.a.	-30 à 50 °C (-22 à 122 °F)	35 s	IP 66/67 NEMA 4X avec réchauffeur	2 x SPDT*	Fig. 20
MBP7U6BH/U		Modulation								Fig. 21
MBE6U6SH/U	1400 lb-po (160 Nm)	2 positions; flottant	Système de sécurité électronique (30 s)	24... 240 V c.a., -20 %/+10 %, 50/60 Hz; 24... 125 V c.c., -20 %/+10 %	55 VA à 24 V c.a./c.c. (classe 2); 43 VA à 120 V c.a./c.c.; 68 VA à 230 V c.a.	-30 à 50 °C (-22 à 122 °F)	35 s	IP 66/67 NEMA 4X avec réchauffeur	2 x SPDT*	Fig. 20
MBE7U6BH/U		Modulation								Fig. 21
MBP6L9SH/U	3540 lb-po (400 Nm)	2 positions	Maintien de position en cas de panne	24 V c.a., ±10 %, 50/60 Hz; 24 V c.c., ±10 %	226 VA	-30 à 65 °C (-22 à 150 °F)	20 s	IP 66/67 NEMA 4X avec réchauffeur	2 x SPDT**	Fig. 23
MBP7L9SH/U		Modulation								Fig. 24
MBP6LBSH/U	4425 lb-po (500 Nm)	2 positions			214 VA		26 s			Fig. 23
MBP7LBBH/U		Modulation								Fig. 24
MBP6HDSH/U	8850 lb-po (1000 Nm)	2 positions	Maintien de position en cas de panne	24 V c.a., ±10 %, 50/60 Hz	504 VA	-30 à 65 °C (-22 à 150 °F)	50 s	IP 66/67 NEMA 4X avec réchauffeur	2 x SPDT**	Fig. 25
MBP7HDBH/U		Modulation			240 VA		59 s			Fig. 26
MBP6HESH/U	13275 lb-po (1500 Nm)	2 positions			504 VA		51 s			Fig. 25
MBP7HEBH/U		Modulation			336 VA		79 s			Fig. 26
MBP6HFSH/U	17700 lb-po (2000 Nm)	2 positions			360 VA		62 s			Fig. 25
MBP7HFBH/U		Modulation			324 VA		65 s			Fig. 26
MBP6HGSH/U	22125 lb-po (2500 Nm)	2 positions			384 VA		62 s			Fig. 25
MBP7HGBH/U		Modulation			360 VA		76 s			Fig. 26

* 3 A résistive (0,5 A inductive) à 250 V c.a., un réglage à 10°, un réglage de 10 à 90°

** 3 A résistive (0,5 A inductive) à 250 V c.a., un réglage à 10°, un réglage à 85°

Tableau 7. Duty Cycle on High Torque Actuators.

Modèle d'actionneur	Couple	Entrées de commande	Cycle de service
MBP6L9SH/U	3 540 lb-po (400 Nm)	2 positions	75 %
MBP7L9SH/U		À modulation	
MBP6LBSH/U	4 425 lb-po (500 Nm)	2 positions	75 %
MBP7LBBH/U		À modulation	
MBP6HDSH/U	8 850 lb-po (1 000 Nm)	2 positions	30 %
MBP7HDBH/U		À modulation	75 %
MBP6HESH/U	13 275 lb-po (1 500 Nm)	2 positions	30 %
MBP7HEBH/U		À modulation	75 %
MBP6HFSH/U	17 700 lb-po (2 000 Nm)	2 positions	30 %
MBP7HFBH/U		À modulation	50 %
MBP6HGSH/U	22 125 lb-po (2 500 Nm)	2 positions	30 %
MBP7HGBH/U		À modulation	50 %

CONFIGURATIONS DE VANNES À 3 VOIES

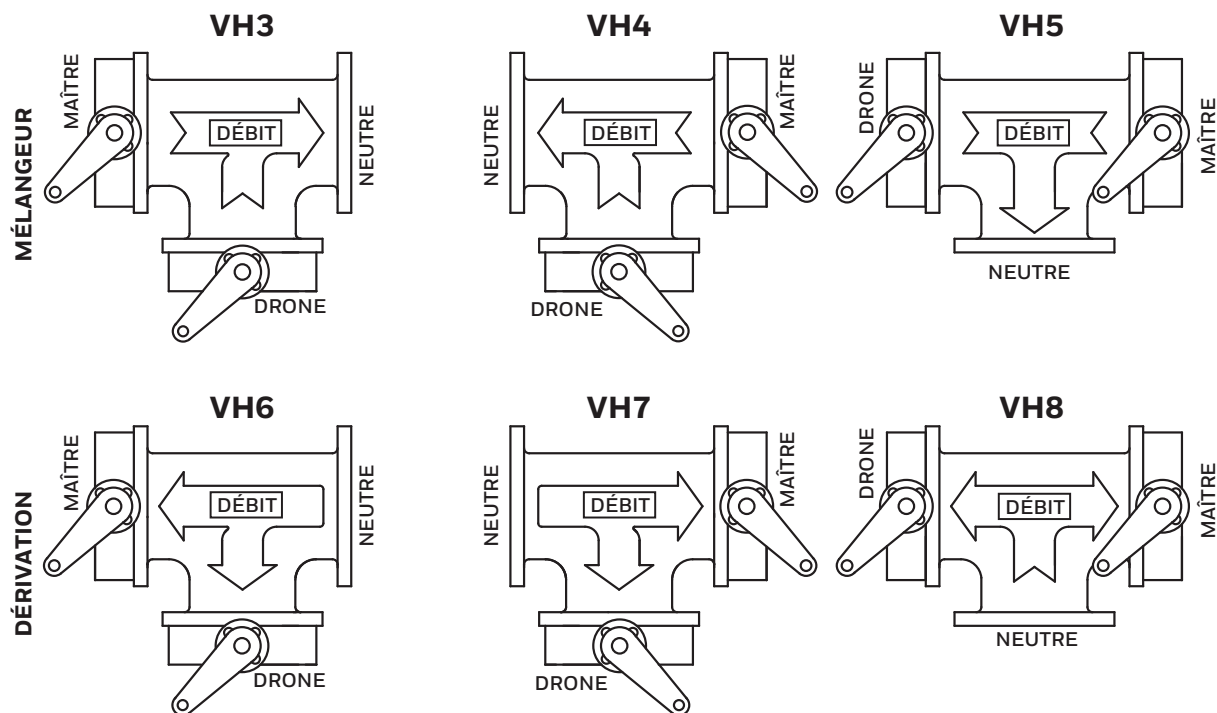


Fig. 9. Configurations de vanne à 3 voies.

Tableau 8. Cv de la vanne.

Diamètre de vanne		Cv								
po	DN	10°	20°	30°	40°	50°	60°	70°	80°	90°
2	50	1,5	6,1	14	26	39	56	77	99	102
2,5	65	2,2	8,8	20	37	55	80	110	142	146
3	80	3,4	14	32	57	87	125	171	221	228
4	100	6,8	27	63	114	171	248	338	437	451
5	125	11	43	100	180	271	393	536	693	714
6	150	17	66	154	278	419	607	827	1070	1103
8	200	31	124	289	520	784	1135	1548	2002	2064
10	250	53	211	492	886	1336	1934	2638	3411	3517
12	300	73	290	677	1219	1838	2660	3628	4692	4837
14	350	90	392	914	1646	2481	3592	4898	6530	6857
16	400	132	531	1230	2229	3361	4865	6634	8845	9287
18	450	171	684	1596	2873	4332	6270	8550	11270	11400
20	500	307	828	1932	3478	5244	7590	10350	13800	14420
24	600	315	1260	2940	5292	7890	11550	15750	21000	22050

Tableau 9. Débit d'écoulement.

Diamètre de vanne		Débit en gal/min							
po	DN	4 pi/s	8 pi/s	12 pi/s	16 pi/s	20 pi/s	24 pi/s	28 pi/s	32 pi/s
2	50	39	78	118	157	196	235	274	313
2,5	65	61	122	184	245	306	367	428	490
3	80	88	176	264	353	441	529	617	705
4	100	157	313	470	627	783	940	1097	1253
5	125	245	490	734	979	1224	1469	1714	1958
6	150	352	705	1058	1410	1763	2115	2468	2820
8	200	627	1253	1880	2507	3133	3760	4387	5013
10	250	979	1958	2938	3917	4896	5875	6854	7834
12	300	1410	2820	4230	5640	7050	8460	9870	11280
14	350	1919	3838	5738	7677	9596	11515	13435	15354
16	400	2507	5013	7520	10027	12534	15040	17547	20054
18	450	3173	6345	9518	12690	15863	19036	22208	25381
20	500	3917	7834	11750	15667	19584	23501	27418	31334
24	600	5640	11280	16921	22561	28201	33841	39481	45121

INSTALLATION

Conception de la vanne

- La vanne papillon haute performance de série VH comprend une tige contre-coudée (ou double excentrique) pour minimiser l'abrasion du siège et réduire le couple. Cette conception contre-coudée permet au disque de se soulever et de « pivoter » en s'éloignant du siège lors de l'ouverture.
- La vanne de série VH tourne toujours en sens horaire pour se fermer (vue du dessus) et dans le sens antihoraire pour s'ouvrir.
- Le corps de vanne dispose d'une butée de surcourse qui empêche le disque de trop pivoter dans le mauvais quadrant. Cette butée ne doit pas remplacer la butée de fin de course. Si le disque se rend à la butée de surcourse, cela signifie qu'il a pivoté plus loin que le siège.
- La vanne de la série VH doit être installée avec le siège en amont (SUS). Notez la flèche sur l'étiquette en métal fixée au corps de la vanne.

Mesures de sécurité

- Veillez à ce que le circuit soit hors pression et vidé.
- N'oubliez pas le liquide dans la conduite. Prenez des dispositions adéquates pour vous protéger des liquides toxiques ou inflammables.
- N'installez jamais la vanne sans qu'un actionneur (manuel ou automatique) ne soit déjà attaché à la tige de la vanne.
- Ne retirez jamais l'actionneur de la vanne lorsque celle-ci est dans la conduite sous pression.
- Assurez-vous que le disque est en position complètement fermée avant d'installer la vanne.
- Faites attention lors de la manipulation de la vanne.

Compatibilité avec la bride

La vanne de série VH est conçue pour s'adapter aux brides de 2 à 24 po ANSI classe 150.

Compatibilité avec les joints d'étanchéité

La vanne de série VH est conçue pour permettre l'utilisation de joints d'étanchéité en fibre standard (par exemple, un matériau sans amiante, en graphite flexible, en amiante ou d'une matière équivalente) de 1/16 po ou moins et répondant aux exigences dimensionnelles de la norme ANSI B16.21-1978. Il n'est pas recommandé d'utiliser des joints en élastomère épais. Des joints métalliques enroulés (Flexitallic) peuvent également être utilisés.

Compatibilité des séries de tuyau

La vanne de série VH est conçue pour permettre au bord de disque de pivoter en position ouverte sans interférence avec la paroi intérieure de la conduite pour les séries de tuyau suivantes :

Tableau 10. Compatibilité des tuyaux.

Diam.	Série du tuyau
2 à 12 po	80
14 à 24 po	40

Identification du produit

- Chaque vanne de la série VH est dotée d'une étiquette d'identification métallique fixée au corps de la vanne. L'information comprend le numéro de la figure, le diamètre et la classe de pression, les matériaux de fabrication, les pressions et les températures de fonctionnement.
- Chaque vanne de série VH fait l'objet de tests hydrostatiques avant d'être livrée. L'étiquette en métal comprend également un numéro de série; ce numéro, unique pour chaque vanne, est enregistré par le service de contrôle de la qualité de Honeywell et est accompagné des résultats des tests et des données de certification du matériau aux fins de traçabilité individuelle et de vérification de chaque vanne produite.

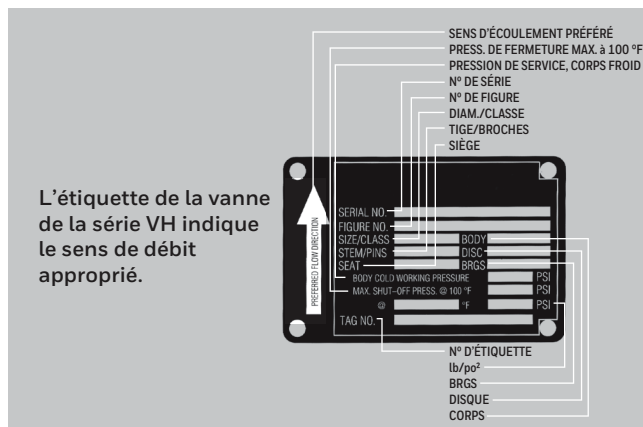


Fig. 10. Identification de la vanne.

Directives de déballage et d'entreposage

1. Comparez le bordereau d'expédition à la vanne reçue pour confirmer l'exactitude des quantités, des diamètres et des matériaux.
2. Assurez-vous que la vanne et l'actionneur n'ont pas été endommagés pendant le transport.
3. Si la vanne doit être entreposée avant d'être installée, vous devez la protéger des conditions environnementales difficiles.
4. Entreposez la vanne avec le disque en position fermée pour protéger le bord d'étanchéité et le siège.
5. Gardez la vanne dans un endroit propre et loin de la saleté, des débris et des matières corrosives.
6. Conservez la vanne dans un endroit sec, protecteurs de bride posés.
7. Gardez la vanne dans un endroit frais et si possible, à l'abri du soleil.
8. Si la vanne papillon n'est pas utilisée, actionnez-la (ouverture et fermeture complètes) au moins une fois par mois.

Entreposage des ensembles de vanne papillon

- Les ensembles doivent être entreposés à l'intérieur et protégés des intempéries.
- Des dispositions doivent être prises pour protéger les matériaux reçus sur le chantier et dont le délai d'installation est long contre les dommages de la construction.
- Les faces de la vanne doivent être protégées contre l'abrasion, les égratignures et les rayures puisque les faces seraient ainsi endommagées et pourraient causer des fuites dans la région de la bride.
- On ne peut pas entreposer des actionneurs électriques dans des endroits mouillés, humides ou corrosifs.
- N'entreposez pas de matériaux de construction sur les ensembles.

Pratiques d'installation

- Les vannes papillon de série VH sont conçues pour être installées entre des brides à collerette soudées à face plate ou surélevée ANSI 125/150.
- La vanne doit être installée à un minimum de 6 diamètres de tuyau de coudes, de crépines, de pompes, etc., en amont ou en aval.
- Pour l'eau refroidie, l'eau de condensateur ou l'eau chaude, la vanne doit être installée avec la tige en position verticale, l'actionneur étant monté au-dessus de la vanne.
- Lorsqu'il y a possibilité de sédimentation dans le débit de liquide, posez la vanne avec la tige en position horizontale. Le bas du disque doit fermer DEPUIS le côté en aval plutôt que du côté en amont.
- Des joints de bride doivent être utilisés sur les vannes des séries VH et BF.
- Assurez-vous que les faces de la bride sont propres et exemptes de rouille, de calcaire et de débris pour ne pas endommager le joint de bride.
- Suivez la séquence de boulonnage recommandée à la Fig. 12.

Installation avec des brides soudées

- Posez les brides des deux côtés du corps de vanne, puis posez les boulons pour aligner correctement le corps de vanne sur les deux brides.
- Assurez-vous que les diamètres intérieurs de la vanne et des brides sont alignés.
- Prenez l'ensemble corps de vanne et bride, puis alignez-le sur les extrémités des tuyaux.
- Soudez par points en plusieurs endroits les brides sur les tuyaux. Ne soudez PAS par joints à ce stade!
- Retirez les boulons d'oreilles, puis séparez avec soin le corps de vanne des brides.
- Effectuez la soudure par joints du raccordement entre chaque bride et son tuyau.
- Laissez complètement refroidir les composants de tuyauterie avant de réinsérer le corps de vanne.

AVERTISSEMENT

Le soudage par joints alors que le corps de vanne est installé entre les brides peut endommager les sièges de vanne en raison de la transmission de chaleur de la bride au corps de vanne.

Procédure d'avant installation

1. Retirez les couvercles de protection des faces de vanne.
2. Vérifiez la vanne pour vous assurer que la voie d'eau est exempte de poussière ou de corps étrangers. Assurez-vous que la conduite adjacente est exempte de tout corps étranger tels que la rouille, le calcaire ou le laitier qui risquent d'endommager le siège et les surfaces d'étanchéité du disque.
3. Vous devez poser les actionneurs sur la vanne avant l'installation afin de faciliter l'alignement du disque dans le siège de vanne.
4. La vanne doit être en position fermée. Assurez-vous que les positions ouvertes et fermées de l'actionneur correspondent au sens de rotation d'ouverture antihoraire de la vanne.

5. Ouvrez, puis fermez complètement la vanne en vérifiant la fin de course de l'actionneur et l'alignement du disque.
6. Vérifiez l'étiquette d'identification de la vanne pour vous assurer que la classe, les matériaux et la pression de fonctionnement de la vanne sont conformes à l'usage prévu.

AVERTISSEMENT

Des blessures corporelles ou des dommages matériels pourraient survenir si la vanne est installée lorsque les conditions de service pourraient dépasser les spécifications de la vanne.

7. Vérifiez les boulons ou goujons de la bride pour confirmer leur taille, leur filetage et leur longueur.

N'OUBLIEZ PAS : Installez la vanne avec le disque en position complètement fermée en utilisant des joints d'étanchéité appropriés sur les DEUX faces de bride.

Procédure d'installation de vanne

1. La vanne papillon haute performance de série VH peut être posée dans la conduite avec la tige en positions verticale, horizontale ou autre (au-dessus de l'axe du tuyau, Fig. 11). Toutefois, selon notre expérience, dans des liquides comprenant des concentrations de particules solides ou abrasives ou assujettis à une solidification croissante, la performance et la durée utile de la vanne seront accrues en posant la vanne avec la tige en position horizontale.

REMARQUE : Peu importe le type d'actionneur, il doit être monté au moins dans l'axe de la conduite.

2. Toutes les vannes de la série VH sont directionnelles et doivent être montées dans la conduite avec la bague de retenue du siège en amont (sus) pour assurer une protection maximale du siège. Pour les vannes de la série VH :
 - a. En prenant note de la flèche du sens d'écoulement sur l'étiquette, placez la vanne entre les brides, en vous assurant que la flèche sur l'étiquette pointe dans le sens d'écoulement.
 - b. Installez lâchement les boulons inférieurs de bride en laissant de l'espace pour les joints de bride.
 - c. Après avoir inséré les joints de bride, installez les autres boulons.
3. À l'aide de la séquence indiquée sur la Fig. 12, serrez les boulons de bride uniformément pour assurer une compression uniforme du joint d'étanchéité.

MISE EN GARDE

La vanne de gamme VH doit être centrée entre les brides et les joints d'étanchéité pour ne pas endommager le bord de disque et la tige à la suite d'un choc entre le disque et la bride, le joint ou le tuyau.

4. Les raccordements électriques doivent être effectués conformément aux directives du fabricant de l'actionneur.
5. La vanne est maintenant prête à fonctionner.

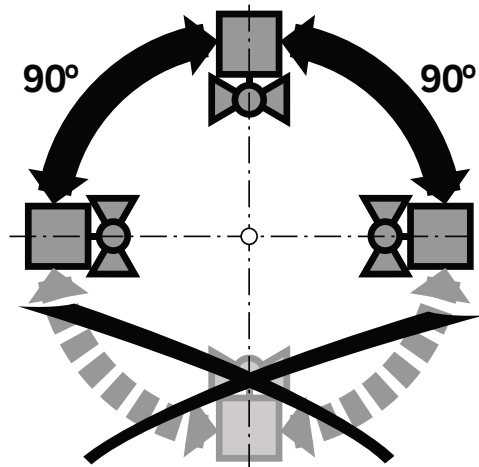


Fig. 11.

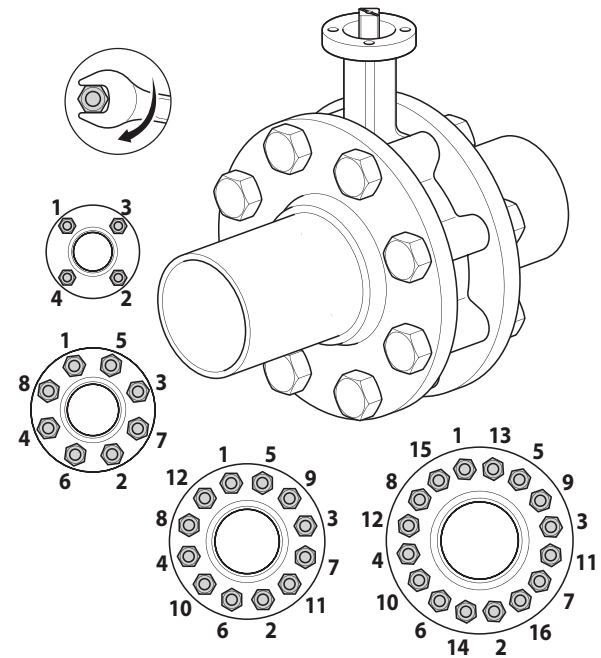


Fig. 12. Séquence de boulonnage.

Tableau 11. Recommandations relatives au boulonnage des brides.

Diamètre de la vanne (pouces)	Filetage	Goujons et écrous				Boulons mécaniques			
		C QTÉ	Longueur (pouces)	D QTÉ	Longueur (pouces)	F QTÉ	Longueur (pouces)	G QTÉ	Longueur (pouces)
2	5/8-11	4	2,5	4	2,5	4	1,63	4	1,63
2,5	5/8-11	4	2,75	4	2,75	4	1,85	4	1,85
3	5/8-11	4	3,25	4	2,5	4	2,25	4	1,63
4	5/8-11	8	3	8	2,75	8	2,12	8	1,88
5	3/4-10	8	3	8	3	8	2	8	2
6	3/4-10	8	3,5	8	3	8	2,5	8	1,88
8	3/4-10	8	3,75	8	3,25	8	2,7	8	2,13
10	7/8-9	12	4,25	12	3,5	12	3	12	2,25
12	7/8-9	12	4,75	12	3,5	12	3,45	12	2,35
14	1-8	12	5	12	4	12	3,75	12	2,7
16	1-8	16	5,5	16	4,25	16	4,12	16	2,75
18	1-1/8-8	16	5,75	16	4,75	16	4,38	16	3,25
20	1-1/8-8	16	6,75	16	4,75	16	5,12	16	3,25
	1-1/8-8	4	5,5	4	4,75	4	4,12	4	3,25
24	1-1/4-8	20	7,25	20	5,75	20	5,63	20	4,25

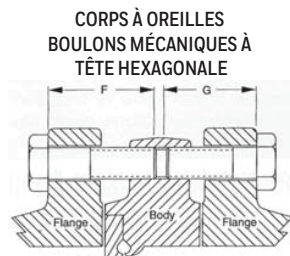


Fig. 13. Boulonnage.

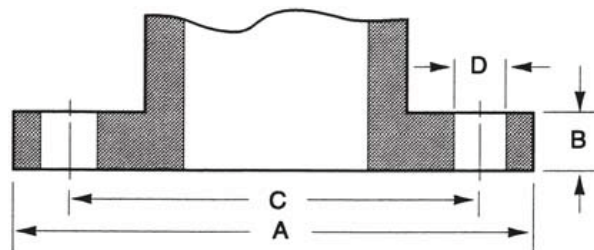
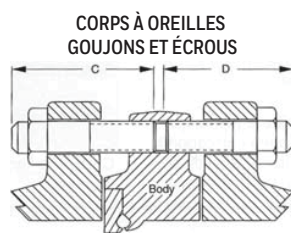


Fig. 14. Brides.

Les recommandations de boulonnage et de couple sont fournies sans garantie et s'appliquent uniquement aux brides soudées ou à emmancher en acier.

L'utilisation de rondelles de blocage ou de lubrification lors du boulonnage aura une incidence sur les valeurs de couple mentionnées.

La longueur des boulons mécaniques est fondée sur :

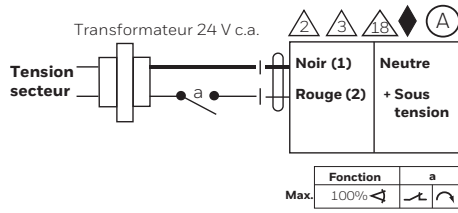
1. Une épaisseur de joint d'étanchéité de 0,06 po.
2. Épaisseur minimale de brides soudées conforme aux normes ANSI B16.5 et B16.47 série A.

* Ne pas respecter la longueur de boulonnage spécifiée pourrait entraîner une installation inadéquate.

Tableau 12. Dimensions des brides.

Diamètre nominal du tuyau (po)	BRIDES		FORAGE		BOULONNAGE	
	Diamètre de bride A (po)	Épaisseur de bride B (po)	Diamètre C du cercle de boulonnage (po)	Diamètre D des trous de boulons (po)	Nombre de boulons	Diamètre des boulons
2	6	0,75	4,75	0,75	4	0,625
2,5	7	0,875	5,5	0,75	4	0,625
3	7,5	0,9375	6	0,75	4	0,625
4	9	0,9375	7,5	0,75	8	0,625
5	10	0,9375	8,5	0,875	8	0,75
6	11	1	9,5	0,875	8	0,75
8	13,5	1,125	11,75	0,875	8	0,75
10	16	1,1875	14,25	1	12	0,875
12	19	1,25	17	1	12	0,875
14	21	1,375	18,75	1,125	12	1
16	23,5	1,4375	21,25	1,125	16	1
18	25	1,625	22,75	1,25	16	1,125
20	27,5	1,6875	25	1,25	20	1,125
24	32	1,875	29,5	1,375	20	1,25

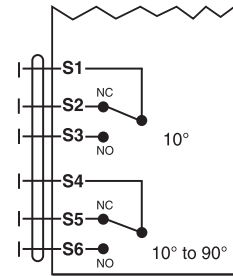
INSTALLATION ÉLECTRIQUE



Marche/arrêt

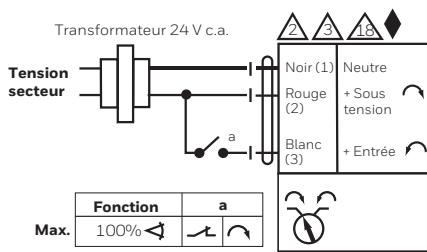
Remarques :

- ◆ Répond aux exigences cULus sans raccordement de mise à la terre.
- Ⓐ Les actionneurs avec les câbles de l'appareil sont numérotés.
- ⚠ Les actionneurs peuvent être raccordés en parallèle. La consommation électrique et l'impédance d'entrée doivent être respectées.
- ⚠ Les actionneurs peuvent également être alimentés à 24 V c.c.
- ⚠ Les actionneurs dotés de câbles pour plénum n'ont pas de numéros sur les fils; utilisez le code-couleurs.

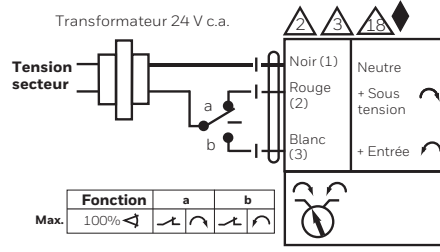


Interrupteurs auxiliaires

Fig. 15. Câblage pour les actionneurs MBS8.



Marche/arrêt

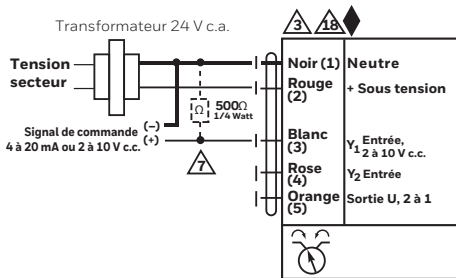


Point flottant

Remarques :

- ◆ Répond aux exigences cULus sans raccordement de mise à la terre.
- ⚠ Les actionneurs peuvent être raccordés en parallèle. La consommation électrique et l'impédance d'entrée doivent être respectées.
- ⚠ Les actionneurs peuvent également être alimentés à 24 V c.c.
- ⚠ Les actionneurs dotés de câbles pour plénum n'ont pas de numéros sur les fils; utilisez le code-couleurs.

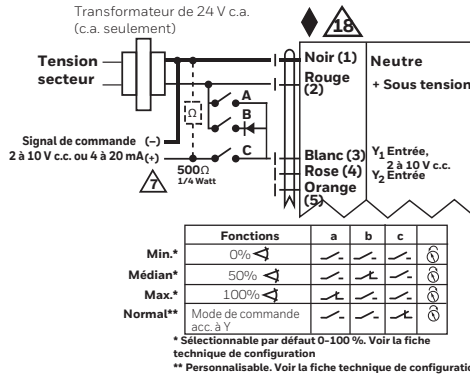
Fig. 16. Câblage pour actionneurs MBP6...R.



V c.c./4 à 20 mA

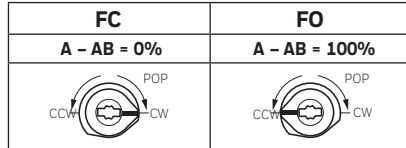
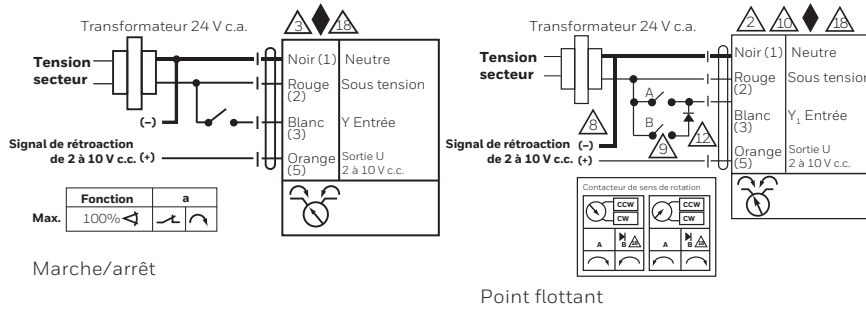
Positions Min., Médian et Max. de commande d'annulation

Fig. 17. Câblage pour actionneurs MBS7...1 et MBS7...R.

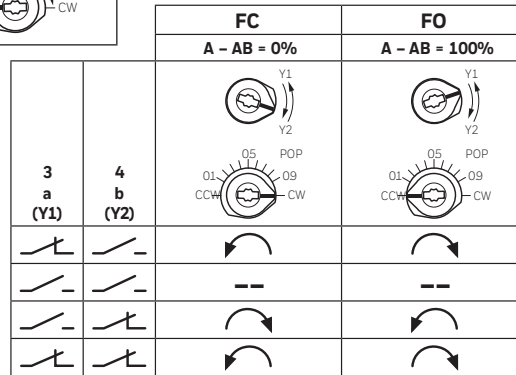


Remarques :

- ◆ Répond aux exigences cULus sans raccordement de mise à la terre.
- ⚠ Les actionneurs peuvent également être alimentés à 24 V c.c.
- ⚠ Une résistance de 500 Ω transforme le signal de commande de 4 à 20 mA en tension de 2 à 10 V c.c.
- ⚠ Les actionneurs dotés de câbles pour plénum n'ont pas de numéros sur les fils; utilisez le code-couleurs.



Marche/arrêt
24 V c.a./c.c.



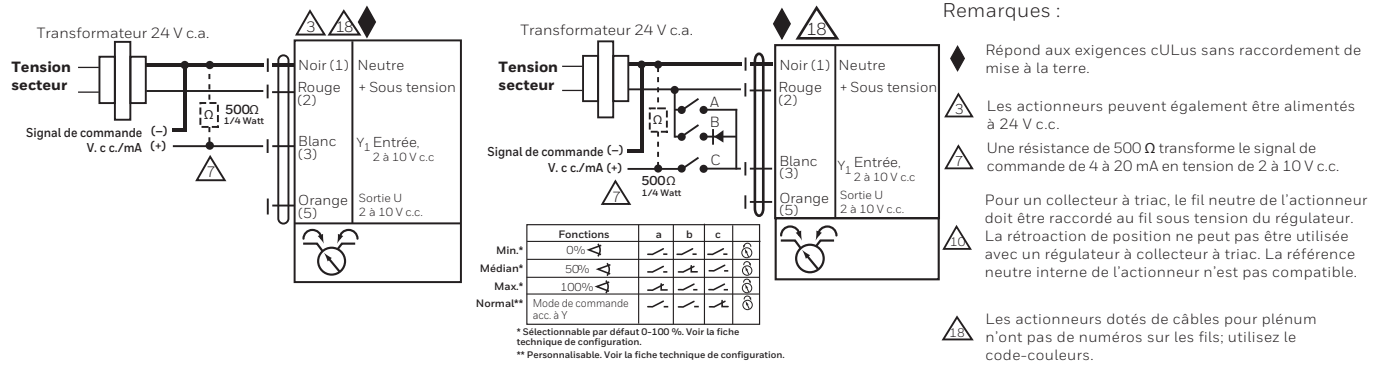
Point flottant
24V c.a./c.c.

Remarques :

- ◆ Répond aux exigences cULus sans raccordement de mise à la terre.
- ⚠ Les actionneurs peuvent être raccordés en parallèle. La consommation électrique et l'impédance d'entrée doivent être respectées.
- ⚠ Les actionneurs peuvent également être alimentés à 24 V c.c.
- ⚠ Le signal de commande peut être pulsé par le fil sous tension (source) ou le fil neutre (collecteur) d'un circuit 24 V c.a.
- ⚠ Les fermetures de contact A et B peuvent également être à triac. Les contacteurs A et B doivent être fermés pour la source à triac et ouverts pour le collecteur à triac.
- ⚠ Pour un collecteur à triac, le fil neutre de l'actionneur doit être raccordé au fil sous tension du régulateur. La rétroaction de position ne peut pas être utilisée avec un régulateur à collecteur à triac. La référence neutre interne de l'actionneur n'est pas compatible.
- ⚠ Diode IN4004 ou IN4007. (IN4007 fournie)
- ⚠ Les actionneurs dotés de câbles pour plénum n'ont pas de numéros sur les fils; utilisez le code-couleurs.

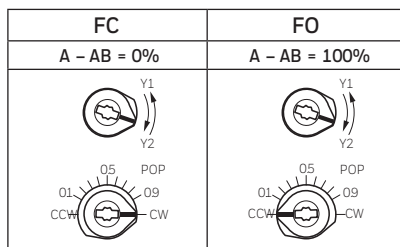
Fig. 18. Câblage pour actionneurs MBE6...R.

VANNES PAPILLON HAUTE PERFORMANCE VH2 VH3, VH4, VH5, VH6, VH7, VH8 ANSI DE CLASSE 150



V c.c./4 à 20 mA

Positions Min., Médian et Max. de commande d'annulation



Modulation

24 V c.a./c.c.

Fig. 19. Câblage pour actionneurs MBE7...R.

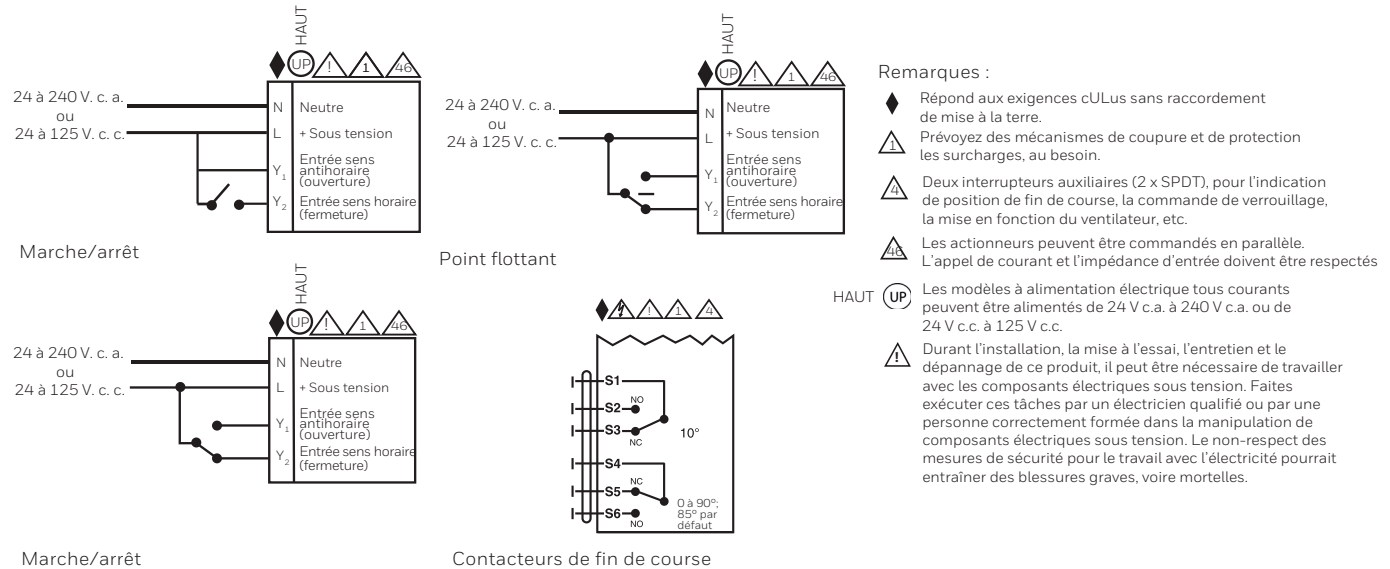


Fig. 20. Câblage pour actionneurs MBP, E6...6.

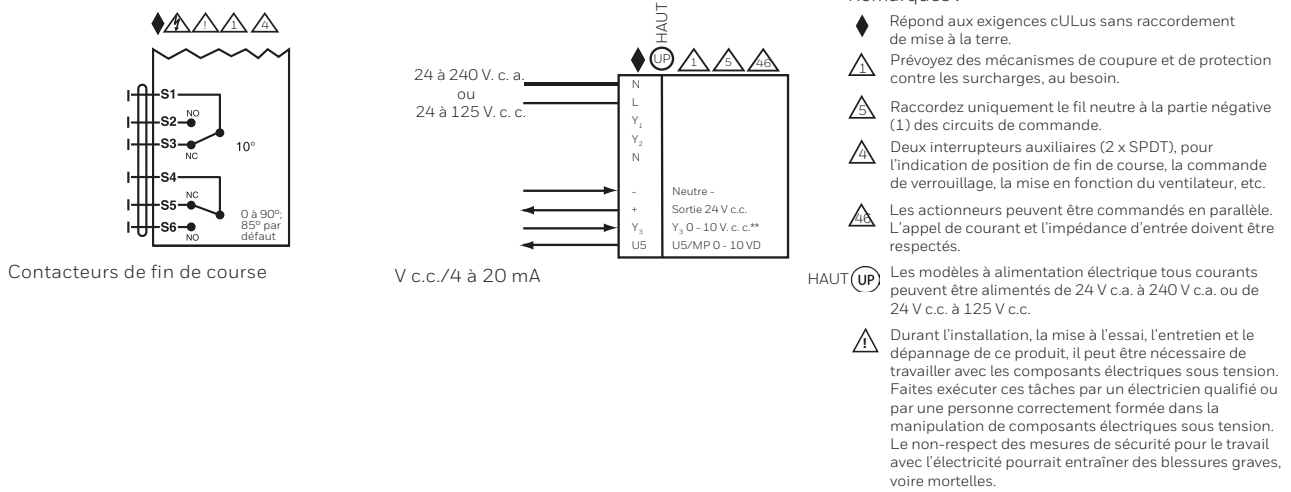


Fig. 21. Câblage pour actionneurs MBP, E7...6.

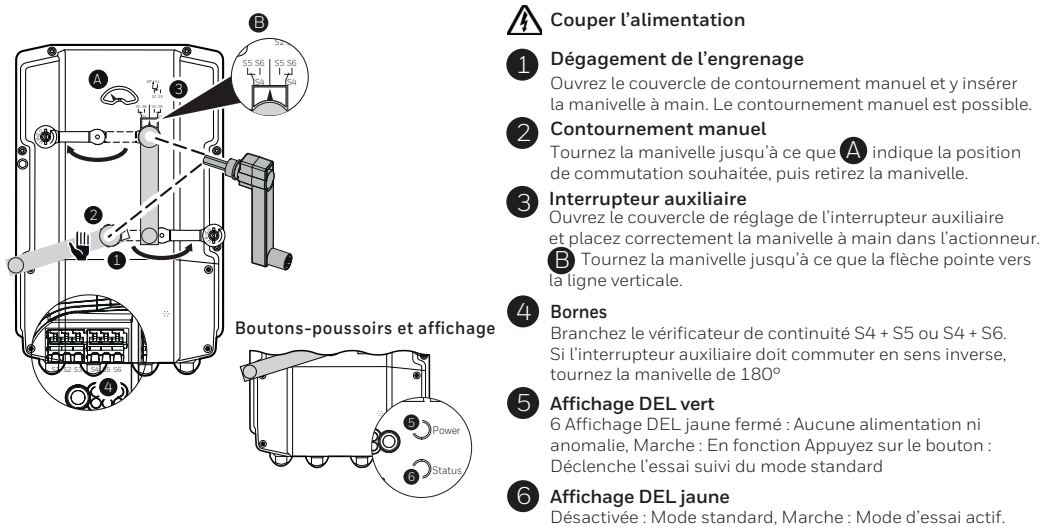
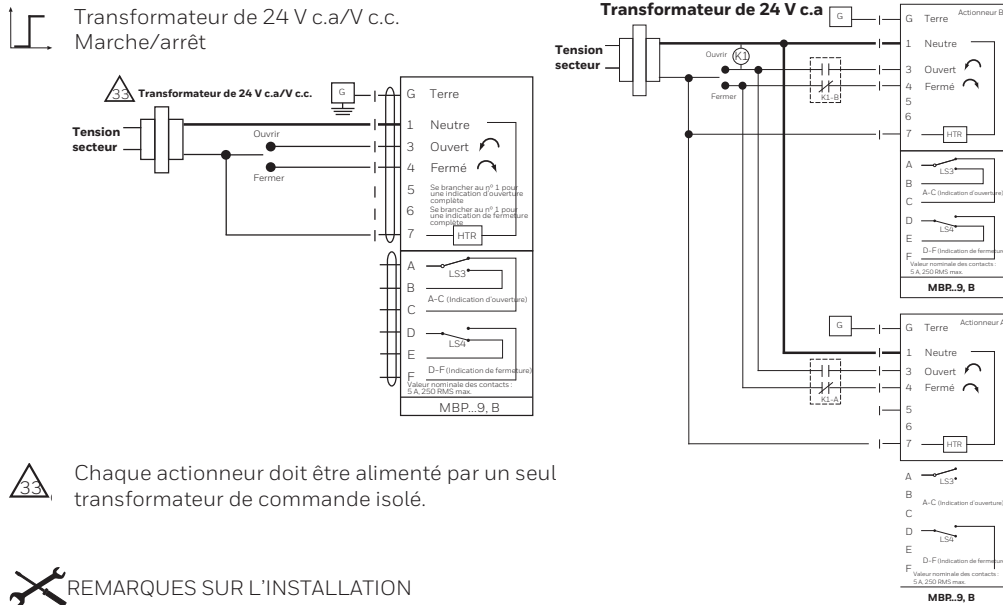


Fig. 22. Réglage de l'interrupteur, modèles MBP, E... 6.



33 Chaque actionneur doit être alimenté par un seul transformateur de commande isolé.

REMARQUES SUR L'INSTALLATION

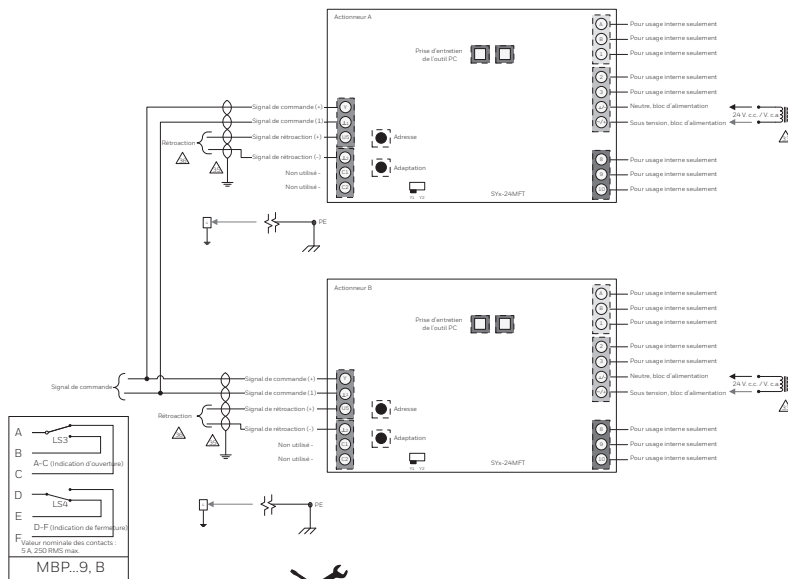
- Respectez les restrictions de câblage de classe 1 et de classe 2.
- Calibrage du transformateur = appel de courant de l'actionneur MBP x 1,25 (marge de sécurité)

REMARQUES SUR L'INSTALLATION

- Les relais d'isolation doivent être raccordés en parallèle de plusieurs actionneurs utilisant une entrée de signal de commande commune.
- « H » (L2) ne peut pas être raccordé simultanément à la borne 3 et la borne 4.
- Requis : La borne 7 doit être câblée sur place pour activer le circuit de chauffage.

Fig. 23. Câblage pour actionneurs MBP6... 9, B.

Régulation proportionnelle, plusieurs câbles, MBP...9, B



REMARQUES SUR L'INSTALLATION

33 Chaque actionneur doit être alimenté par un seul transformateur de commande isolé.

- Respectez les restrictions de câblage de classe 1 et de classe 2.
- Calibrage du transformateur = appel de courant de l'actionneur MBP x 1,25 (marge de sécurité)

Fig. 24. Câblage pour actionneurs MBP7... 9, B.

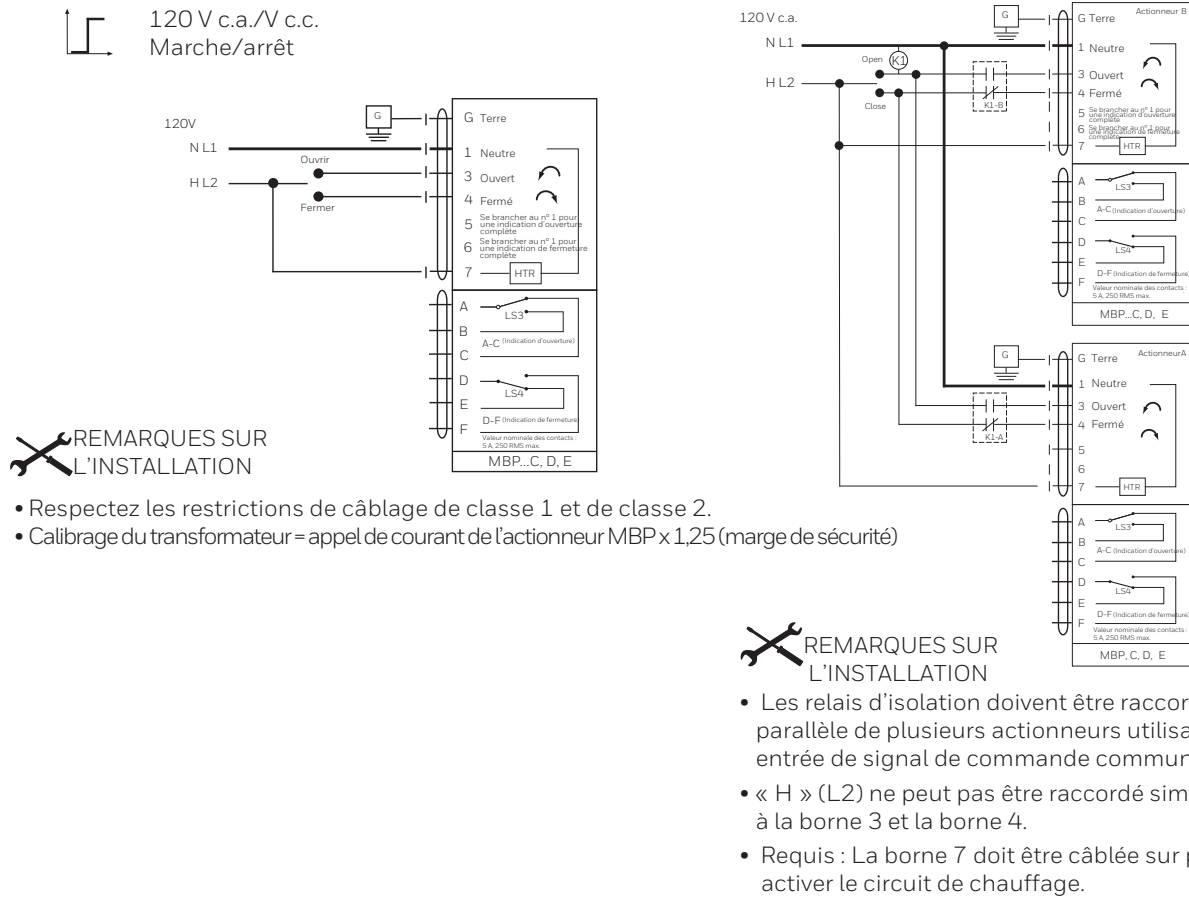
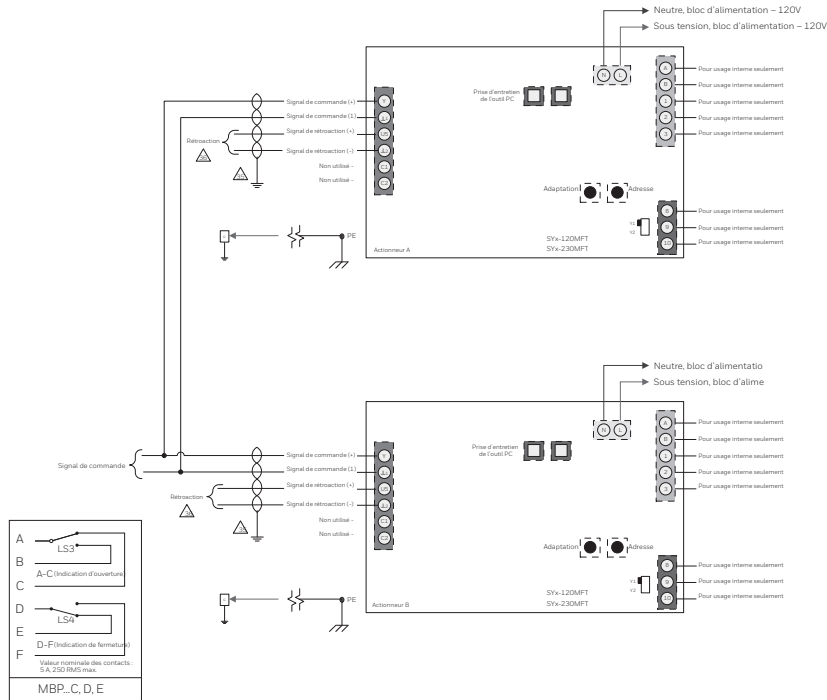



Fig. 25. Câblage pour actionneurs MBP6... D, E, F, G.

 Régulation proportionnelle, plusieurs câbles, 120V
 MBP...C, D, E



 Chaque actionneur doit être alimenté par un seul transformateur de commande isolé.

 REMARQUES SUR L'INSTALLATION

- Respectez les restrictions de câblage de classe 1 et de classe 2.
- Calibrage du transformateur = appel de courant de l'actionneur MBP x 1,25 (marge de sécurité)

Fig. 26. Câblage pour actionneurs MBP7... D, E, F, G.

Par l'utilisation de la présente documentation Honeywell, vous consentez à ce qu'Honeywell ne possède aucune responsabilité pour tous dommages résultant de votre utilisation ou modification de ladite documentation. Vous défendrez et indemniserez Honeywell, ses sociétés affiliées, filiales pour et contre toute responsabilité, frais ou dommages, y compris les honoraires d'avocats, résultant de quelque manière, ou survenant en connexion avec toute modification à la documentation de votre part.

Honeywell Building Technologies

Aux États-Unis :
 Honeywell
 715 Peachtree Street NE
 Atlanta, GA 30308
 customer.honeywell.com



© Marque de commerce déposée aux États-Unis
 © 2019 Honeywell International Inc.
 31-00191EF-02 M.S. Rev. 07-19
 Imprimé aux États-Unis